

SWING

FANS



DIAMOND DAMP

| | |
|--------------------------|----|
| INSTALLATION MANUAL | EN |
| MONTAGEANLEITUNG | DE |
| MANUAL DE INSTALACIÓN | ES |
| MANUALE DI INSTALLAZIONE | IT |
| MANUEL D'INSTALLATION | FR |
| دليل التركيب | AR |
| הוראות התקנה | HE |

Installation manual for SWING ceiling fan

DIAMOND DAMP | ref: 85113



THE ECO

SWING

FANS



BREEZE

Be sure to read this manual and all safety information carefully before installing your new fan.

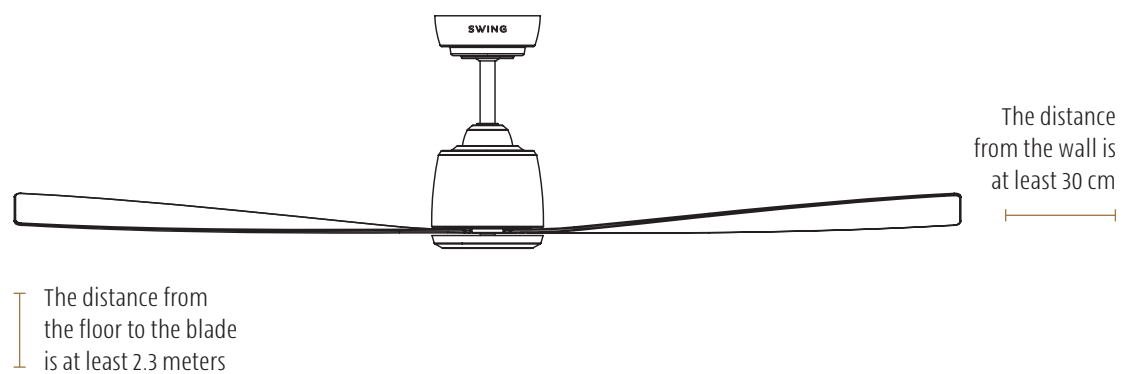
Attention! The installation of the ceiling fan and its accessories shall be carried out in accordance with the safety, wiring and installation instructions specified in this manual. Installation not in accordance with the instructions may damage the fan and constitute a violation of the warranty conditions specified in the Warranty*

* The warranty appendix is at the end of this manual

General safety instructions

- Turn the fan off and wait for the blades to stop completely before performing any maintenance or cleaning.
- This fan is intended for Indoor and outdoor.
- This fan has a DC type motor.
- SWING fans should only be installed and operated using SWING accessories, remote control, downrods, blades.
- This ceiling fan must be securely connected to a solid structure. Under no circumstances should the Hanging bracket be installed on plaster boards only!
- Use all screws provided with the fan! Failure to use all screws poses a safety hazard and may result in serious injury.
- Ensure that the accessories used to install the hanging bracket on the ceiling, are adapted to hold a moving weight of at least 30Kg
- The blades should be fitted to the fan motor only after the motor is hung properly on the ceiling. fitting the blades while the motor is on the floor or on any other surface, may damage or cause them to bend.
- Before starting any kind of electrical work shut the power off at the circuit breaker in the fuse box.
- This ceiling fan must be grounded.
- Do not disconnect the plugs from the wiring and do not change the wiring in any way.
- Ensure that the minimum distance between the blades and the floor is 2.3 meters, and a minimum distance between the tip of the blades and the wall is 30 cm.
- Ensure that the fan blades can rotate freely without any obstructions. (windows, doors, cupboards, etc.)
- After you install the fan make sure that all mounting components are secured to prevent the fan from falling.
- Do not insert anything into the fan blades while the fan is operating

When installing the fan, make sure that a minimum distance from the walls and floor is maintained, and that the blades can rotate freely without any obstructions when the fan is switched on.



The parts of the fan

ENGLISH

DEUTSCH

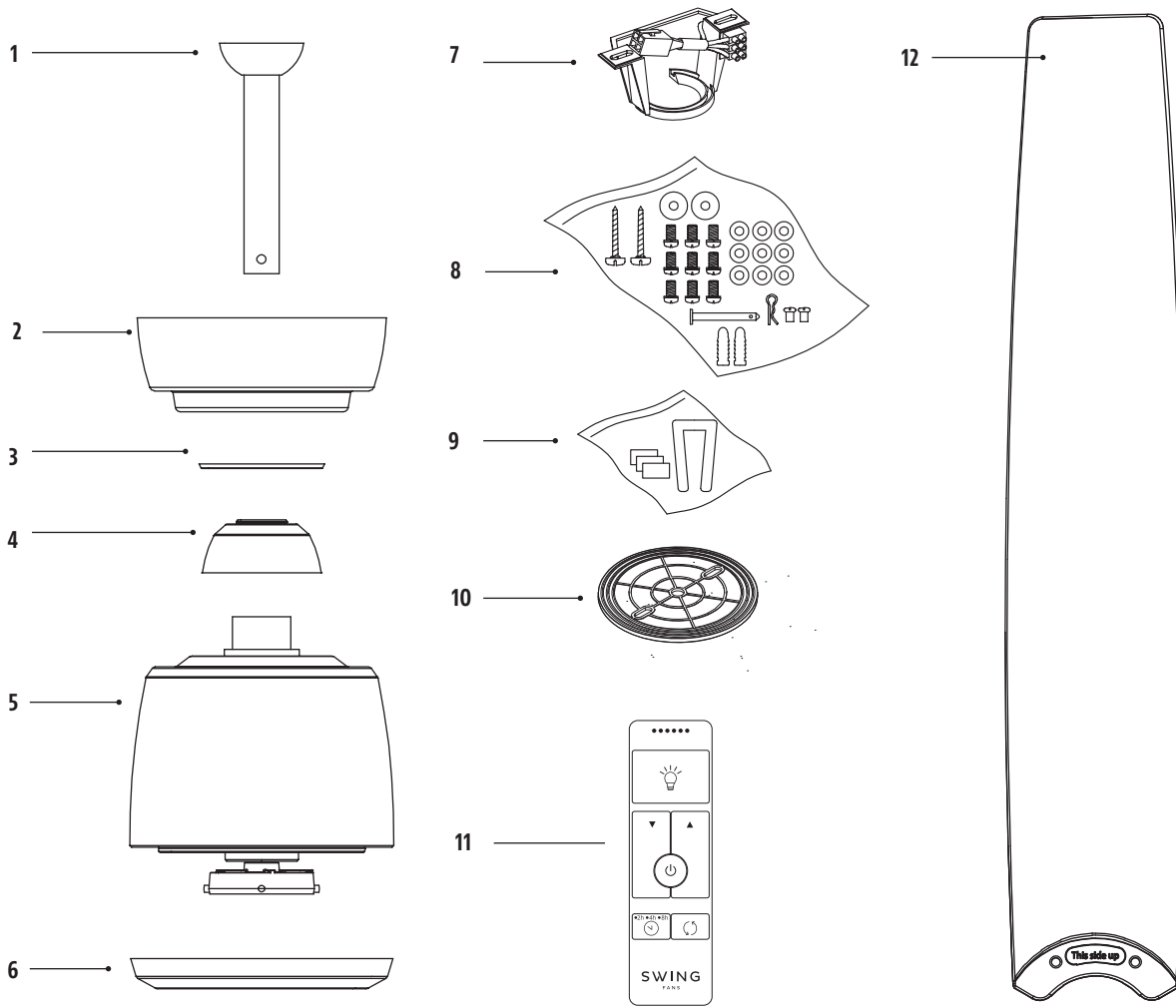
ESPAÑOL

ITALIANO

FRANÇAIS

عربيہ

עברית



- 1 | Down rod and ball-joint
- 2 | Ceiling cover
- 3 | Decorative cover
- 4 | Motor adapter cover

- 5 | Fan motor
- 6 | Bottom cover
- 7 | Hanging bracket
- 8 | Kit of screws

- 9 | Balancing Kit
- 10 | Cover
- 11 | Remote control
- 12 | Fan blades

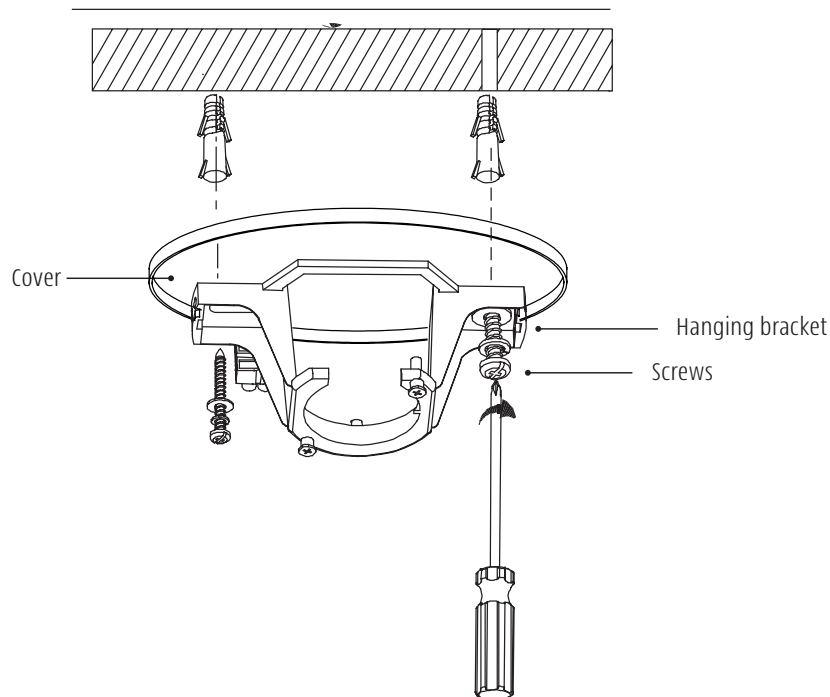
Installation instructions

1. Opening the packaging and preparations before the installation

- Carefully remove the ceiling fan from the packaging and place the fan motor and blades on a cloth or soft surface. Placing the motor or blades on a hard surface may damage the finish.
- This ceiling fan is provided with a set of matching blades. Do not mix or switch blades from different product. Use of blades different from those supplied can cause a malfunction and will void your warranty.
- Before starting the installation verify that all the parts are present and available for use, including any accessories which may be required for the installation. Use only original Swing fan accessories.

2. Hanging bracket installation

- Fix the hanging bracket to a flat surface using suitable fasteners, which should be fastened to a timber joist or concrete (the attached screws are intended for standard concrete. For other structure types, suitable installation fasteners should be used).
- **All screws provided should be used, and under no circumstances should the Hanging bracket be installed on Plasterboard only.**

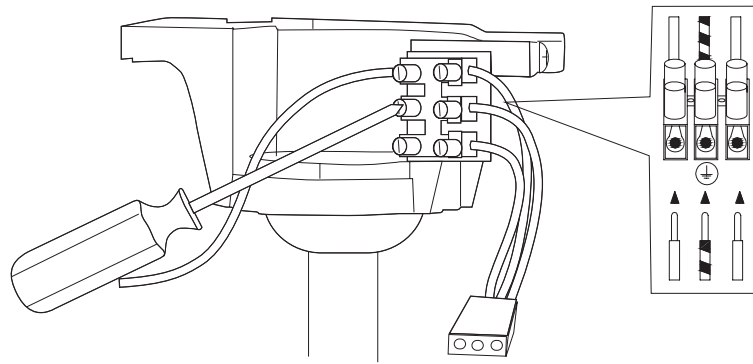


Installation instructions

ENGLISH

3. Mains connection

Connect the mains supply 220-240V to the terminal block in accordance with the markings.



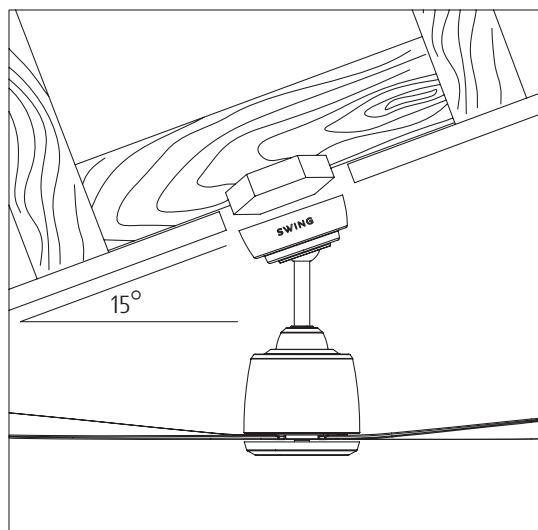
DEUTSCH

ESPAÑOL

ITALIANO

4. Installing the ceiling fan at an angle

This fan can be installed at a ceiling slope of up to 15 degrees.



FRANÇAIS

عربيہ

עברית

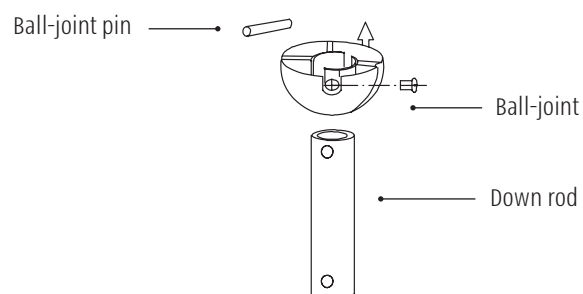
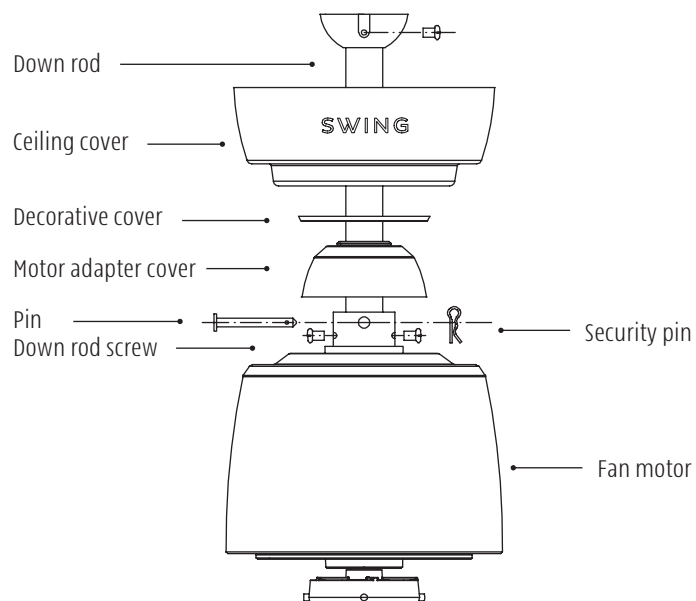
5. Assembling the down rod and the ceiling cover

- Loosen the screw of the ball-joint and remove the pin of the ball-joint, so that it allows the ball-joint to be disassembled from the down rod.
- Thread the wiring through the motor adapter cover, decorative cover, ceiling cover and the down rod.
- Place the down rod on top of the fan's motor housing and align the holes.
- Insert the pin through the extension rod (make sure the wires are not damaged) and insert the security pin.

Attention! Perform the assembly of the down rod and the upper cover with manual and non-electric tools.

Attention! It is mandatory to tighten the 2 screws of the down rod to the fan motor housing.

- Slide the motor adapter cover over the fan motor housing.
- Reassemble the ball-joint and ensure proper installation of the ball-joint pin and the ball-joint screw.



Installation instructions

ENGLISH

6. Hanging the fan

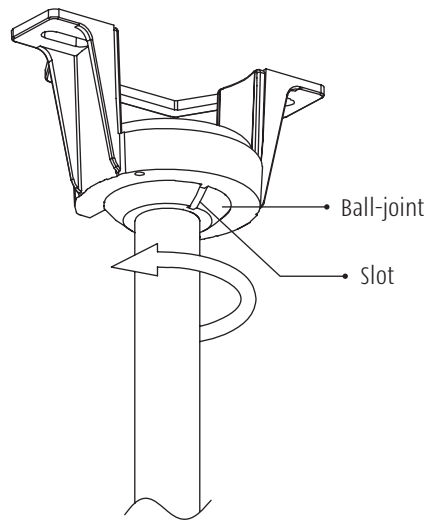
- Carefully lift the fan motor.
- Place the ball-joint in the hanging bracket, so that the groove is located in the slot. The down rod should not rotate if this is done correctly.

Attention! To ensure smooth operation of the fan it is important to securely fasten all the screws intended for hanging it.

DEUTSCH

ESPAÑOL

ITALIANO



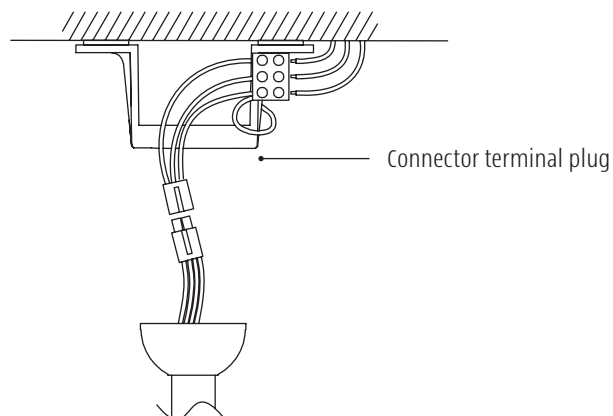
FRANÇAIS

عربيہ

עברית

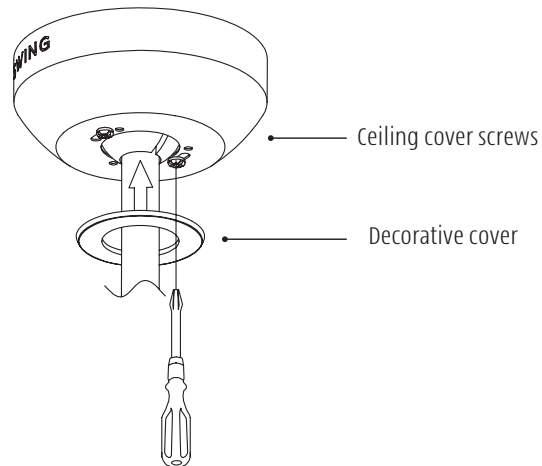
7. Connecting the ceiling fan to the electricity supply

After the ceiling fan is properly hung, connect the terminal plug connector (male to female).



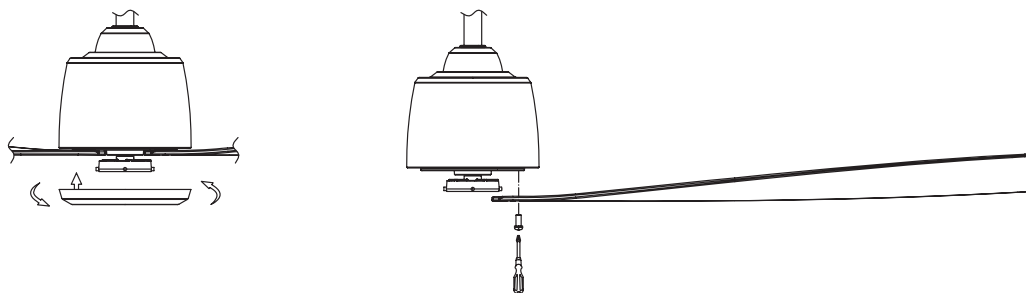
8. Connecting the ceiling cover

- Lift the ceiling cover over the hanging bracket.
- Rotate the ceiling cover and tighten the screws.
- Cover the screws with the decorative cover.



9. Fitting the Blades and connecting the bottom cover

- Verify that the blades are installed in the correct direction. Notice "This side up" label on the fan blades.
- The blades are not reversible.
- Insert the screws through the blade and secure them to the motor.
- Repeat this securing process for all other blades.
- Gently connect the bottom cover and rotate counterclockwise.




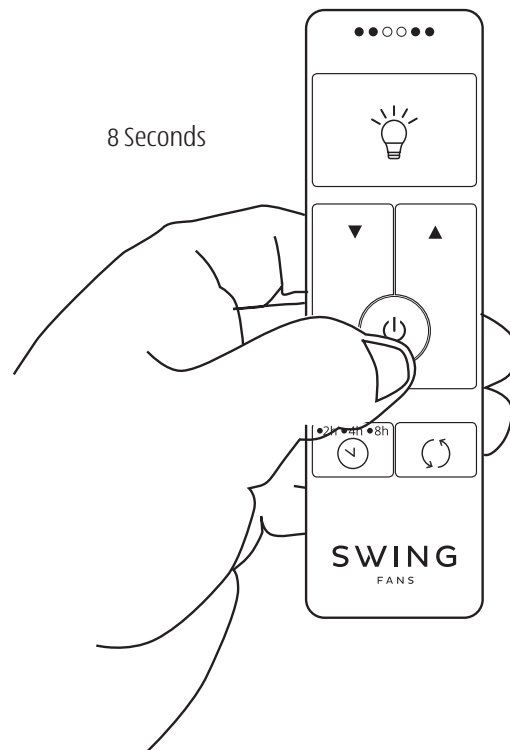
Pairing the remote control

Attention! It is required to pair the remote control when installing a ceiling fan.

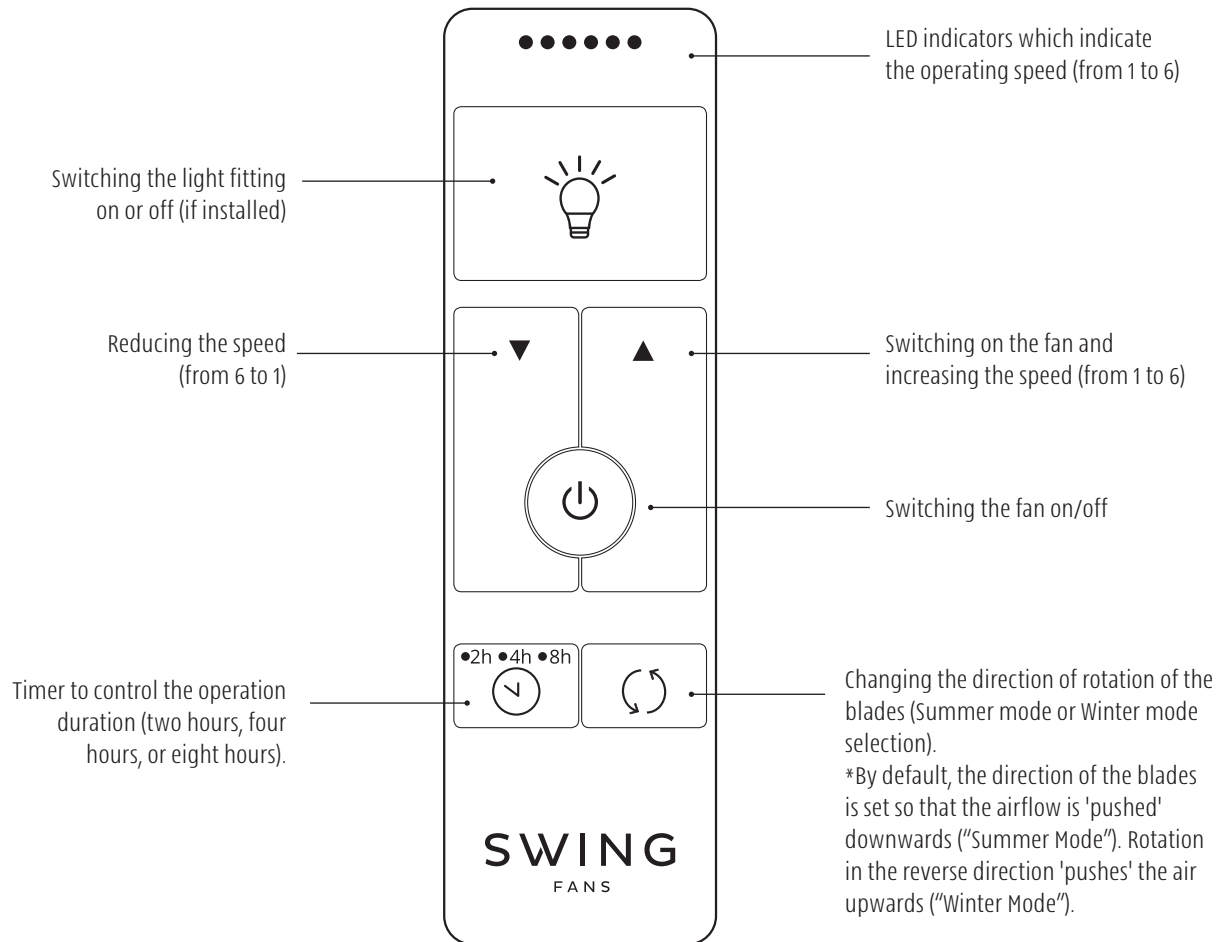
This process connects the remote to the fan with a unique frequency.
This is to prevent frequency disruption and interference between other ceiling fans.

Attention: The ceiling fan will not receive functions from the remote control before the process of pairing is completed.

- Switch off the electricity supply to the fan by turning off the wall switch.
- Switch back on the electricity supply to the fan. Make sure that all other fans are disconnected from the electricity supply.
- Within 60 seconds of turning the fan power on press and hold the power button on the remote control  for 8 second until the light blinks twice (There is no indication if there is no light fitting).
- The remote control is now paired with the fan and all the actions of the remote control will be received.



Functions and operation of the remote control



Attention!

- The remote control operates wirelessly and must be within a range of up to 8 metres from the fan.
- When changing functions, wait patiently for a few seconds for the fan to receive the transmission and perform the operation, especially after changing the rotation direction of the blades.
- The remote control comes with a dedicated wall holder which can be installed using two screws.
- The indicator lights are not lit permanently, but are lit for one second, and then go off.

General operating instructions, troubleshooting

ENGLISH

Activating the fan for the first time

- Ensure that all screws are tightened, and the electrical connections are secure.
- Ensure that the fan blades can rotate without any obstructions.
- Ensure that the power is switched on and that the fan is connected to an electrical voltage.
- After you have verified that the fan is supplied with electrical voltage, Switch the fan on to high speed for about 5 minutes.

Attention! It can take up to 30 seconds for the fan to reach the desired speed.

DEUTSCH

Troubleshooting

Note! Before starting any troubleshooting or repair activity, ensure that the mains supply is disconnected.

ESPAÑOL

Does the fan have trouble starting or will the fan not start at all?

- Check all electrical connections, including the wall switch and the circuit breaker in the fuse box.
- Verify that there is no object/screw that prevents the movement of the blades.
- Ensure that the remote control battery is new and properly inserted.
- Verify that you pressed the fan switch button on the remote control.
- Switch the fan on to the highest speed.
- Verify that the remote control and fan are paired and if necessary repair the remote to the fan (Page 12).

ITALIANO

Poor Airflow?

- The fan may rotate in the reverse direction (Winter Mode) – check the Summer/Winter Mode selection and ensure the mode is appropriately set for the season.
- Verify that the blades are installed in the correct direction, and that the label "This side up" is facing the ceiling.
- Verify that the fan is appropriate for the size of the room.
- Check if the space between the ceiling and the blades is less than 20cm. In this case the airflow will be significantly reduced.

FRANÇAIS

Is the fan noisy?

- If it is a "mechanical" noise, make sure that the blades are tightened, all the screws are securely tightened, the light fitting is correctly installed, and all the wiring is properly connected.
- If it is an "electric" noise which is mainly heard in the evening or in the early morning, it may be caused by electrical pulses which are sent over the electric lines.

عربي

Attention! Some noises cannot be prevented and are not covered under warranty.

עברית

Is the fan wobbling or vibrating?

- When ceiling fans are rotating, they tend to vibrate slightly, especially at high speeds (this is the reason why they are equipped with a flexible ball-joint which allows free movement). Fans installed with a long down rod, tend to wobble more than fans installed with a standard down rod.
- If the fan wobbles or vibrates excessively, it may be due to the fact that the blades are loose or unbalanced. In this case, ensure that all the blades are securely fastened to the fan, that no screws are missing and that all the screws are tightened. Ensure the hanging bracket is properly installed on the ceiling.
- If necessary, the blades can be balanced using the blade balancing kit, which is included with the fan.
- If the ceiling fan wobbles in an extreme way – stop using the fan immediately and contact customer service.
- All blade sets are grouped by weight as a set. Mixing blades from another fan can cause the fan to wobble and vibrate.

Attention! To prevent long-term damage, it is important to balance the fan as soon as possible. The balancing of the fan is not covered under warranty.

Maintenance

- In order to maintain the appearance of the ceiling fan and its integrity, be sure to clean and remove dust periodically (using nonabrasive detergents). Accumulation of dust and dirt is not aesthetic and will lower the fans performance.
- Due to the fans natural movement some connections may become loose overtime. Check the fans connections, blades and tighten screws if needed. (Not necessary to remove the fan from the ceiling to perform)

Warranty Conditions

All SWING products are high-quality fans. The warranty applies to the motor, fan body, blades and light fittings which are parts of the fans sold by SWING.

The installation must be performed according to this manual and must comply with local electrical code.

ENGLISH

DEUTSCH

ESPAÑOL

ITALIANO

FRANÇAIS

عربي

עברית

Products

- This warranty applies to all products manufactured by the SWING brand. Ceiling fans, ceiling fans for outdoor conditions, industrial fans, and light fitting suitable for the ceiling fans. The warranty does not cover bulbs and consumables.
- Damage caused as a result of improper installation or unreasonable use is not covered under the warranty.

Warranty Period

- The warranty period for the SWING products is for one year. Beyond the one-year warranty period, the following applies:
- The fan motor warranty is 3 years.

Warranty Conditions

- The offered warranty for the SWING products is valid under the following conditions:
- Products should be used in accordance with the application specifications of the product.
 - The warranty covers only product failures caused by defects in materials, workmanship and/or manufacturing.
 - Only licenced SWING technicians are authorized to service SWING products. Any service and/or repair performed by a technician not authorized by SWING will void the warranty.

Repair of Product Under Warranty

- In the event of a product malfunction, SWING at its sole discretion, may decide whether to repair components or products, provide similar products as a replacement, or refund the original customers.
- SWING, at its sole discretion will choose whether to test the product at the customer's home, or at a SWING laboratory.
- Repair under the warranty does not cover any damage as a result of voltage drops, lightning, fluctuations in the mains voltage or connection to an alternative electricity supply (such as solar systems).
- Damage caused as a result of aggressive handling during installation is not covered under the warranty.
- If a defect is found in the fan when opening the package – do not install it, but notify the company immediately, and return it to the place where it has been purchased.
- The customer or end users will bear all the costs arising from removing and reinstalling the ceiling fans, as well as shipping costs of bringing and returning the products. All shipping costs will be prepaid by the customer.
- Other costs such as: component replacement costs during installation, repairs caused by installation failures, other types of damage and/or consequential damage – are not covered under this warranty.
- If repair is required at the customer's household – the cost of delivery, installation, and operation of any special equipment (such as: scaffolding, forklifts), intended to allow access to the ceiling fans – will apply to the customer/owner of the place.
- In any case, the company is not responsible and will not bear the costs of disassembling, assembling, transporting or any other cost for the purpose of bringing the fan to the service centre and returning it to the customer.

Submitting a Product Repair Request Under Warranty

- A request for repair under warranty should be made immediately by opening a service ticket via the website and if necessary, by presenting an original purchase invoice and returning the defective product. This is so that the SWING representatives can check the validity of the product warranty and the scope of the request.

In order to maintain the information in SWING's databases, it is advisable to fill in the attached warranty form and send it to us immediately after buying the fan. Additionally, to facilitate the identification and service process in the event of a malfunction, it is recommended to attach the original purchase invoice to this form.

ENGLISH

DEUTSCH

ESPAÑOL

ITALIANO

FRANÇAIS

عربية

עברית

Warranty Form

ENGLISH

The warranty form will be accepted with:

1. This form is filled in with all the details.
2. Purchase invoice.
3. Installer details.

DEUTSCH

Customer Details

Customer name:

Address:

Telephone:

Mobile phone:

Email:

ESPAÑOL

Purchase Details

The name of the shop where the purchase was made:

Date of purchase:

Product name:

ITALIANO

FRANÇAIS

Installer Details (if applicable)

Installer's company name and address:

Date of installation:

Installer's name:

Telephone:

عربي

It is recommended to send a copy of this form with an original purchase invoice immediately after the installation so that the information is recorded in the company's databases.

The form can be filled out online at: www.swingfans.com

How to contact us to use the warranty:

www.swingfans.com

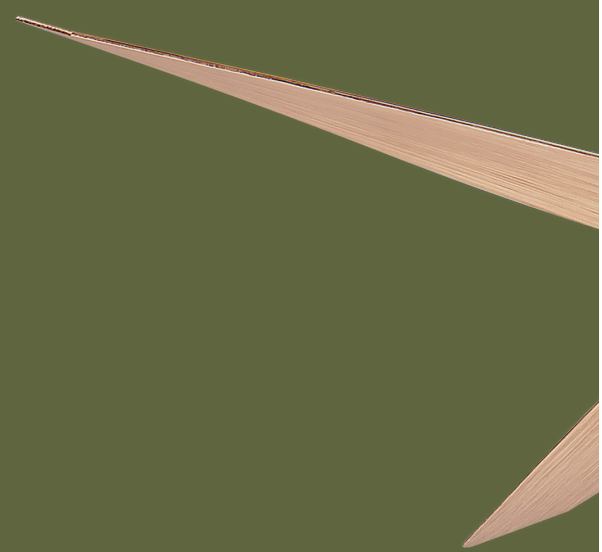
עברית

SWING

FANS

Montageanleitung für den SWING-Deckenventilator

DIAMOND DAMP | ref: 85113



DIE NATÜRLI

SWING

FANS



...ICHE BRISE

Bitte lesen Sie diese Anleitung und alle Sicherheitshinweise sorgfältig durch, bevor Sie Ihren neuen Ventilator anbringen.

ENGLISH

DEUTSCH

ESPAÑOL

ITALIANO

FRANÇAIS

عربية

עברית

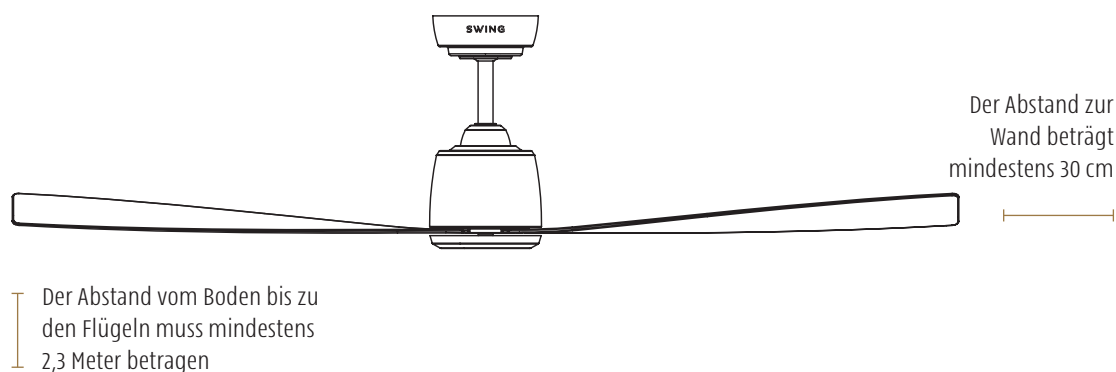
Achtung! Die Installation des Deckenventilators und dessen Zubehörs muss gemäss den in dieser Anleitung aufgeführten Sicherheits-, Anschluss- und Installationsanweisungen erfolgen. Eine nicht entsprechend den Anweisungen durchgeführte Installation kann den Ventilator beschädigen und einen Verstoss gegen die in der Garantie* aufgeführten Garantiebedingungen darstellen.

* Der Anhang zur Garantie befindet sich am Ende des Handbuchs

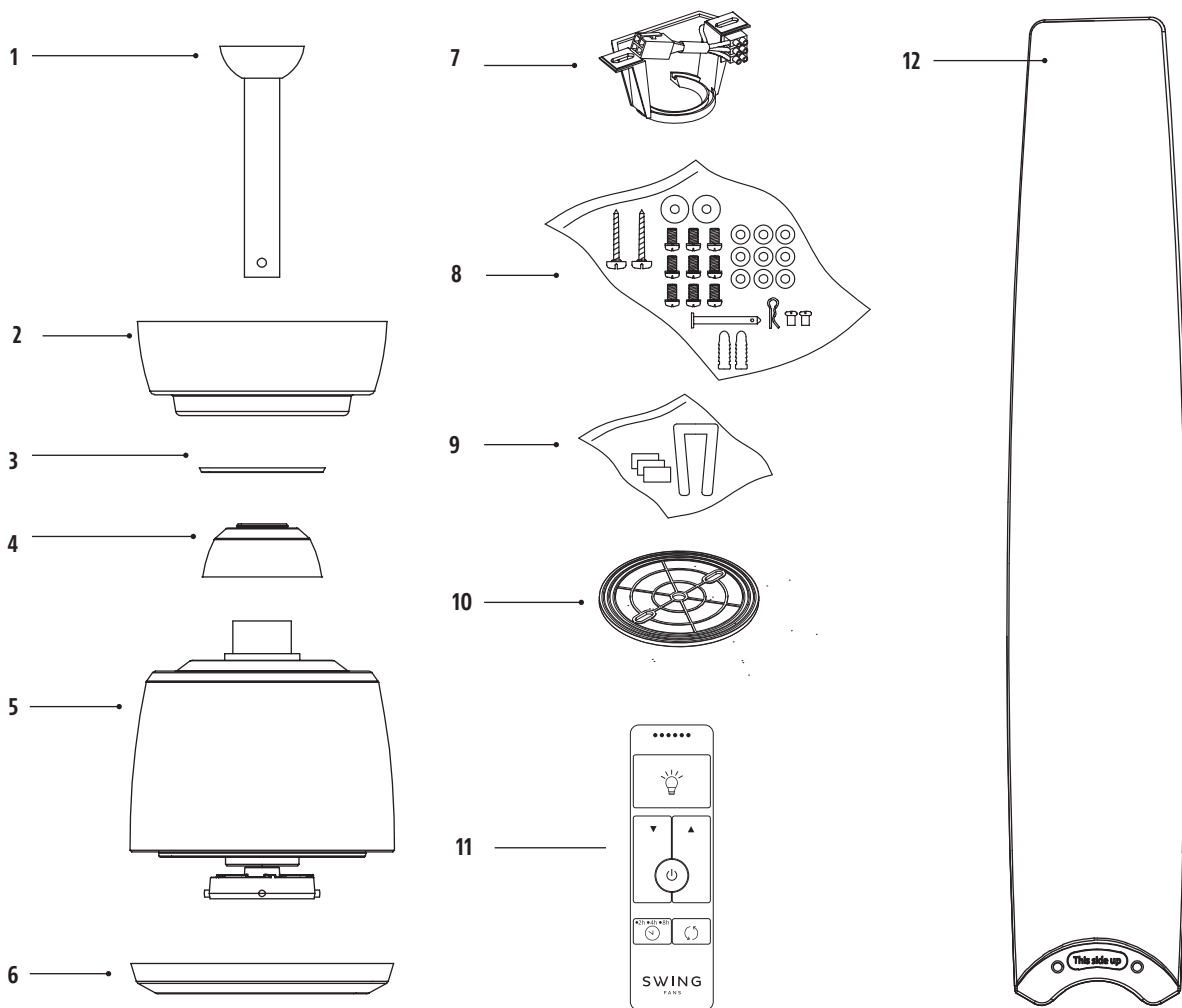
Allgemeine Sicherheitshinweise

- Schalten Sie den Ventilator aus und warten Sie, bis die Flügel vollständig zum Stillstand gekommen sind, bevor Sie jegliche Wartungs- oder Reinigungsarbeiten vornehmen.
- Dieser Ventilator ist für den Innen- und Aussenbereich ausgelegt.
- Der Ventilator wird mit einem Gleichstrommotor betrieben.
- Verwenden Sie für die Installation und den Betrieb von SWING-Ventilatoren ausschliesslich SWING-Zubehör, also Fernbedienung, Haltestangen, Leuchten und Flügel.
- Dieser Deckenventilator muss sicher an einer soliden Struktur befestigt werden. Die Aufhängebügel dürfen unter keinen Umständen nur auf Gipskartonplatten angebracht werden!
- Verwenden Sie alle mit dem Ventilator gelieferten Schrauben! Die Nichtverwendung sämtlicher Schrauben stellt ein Sicherheitsrisiko dar und kann zu ernsthaften Verletzungen führen.
- Achten Sie darauf, dass das zur Montage der Aufhängebügel an der Decke verwendete Zubehör für ein bewegliches Gewicht von mindestens 30 kg ausgelegt ist.
- Die Flügel sollten erst am Ventilatormotor angebracht werden, nachdem dieser ordnungsgemäss an der Decke angebracht wurde. Die Montage der Flügel, solange der Motor auf dem Boden oder einer anderen Oberfläche liegt, kann zu Beschädigungen oder Verbiegungen der Flügel führen.
- Schalten Sie vor Beginn jeglicher Elektroarbeiten den Strom am Schutzschalter im Sicherungskasten ab.
- Dieser Deckenventilator muss geerdet werden.
- Trennen Sie die Stecker nicht von den Kabelverbindungen und ändern Sie in keiner Weise die Anschlüsse.
- Stellen Sie sicher, dass der Mindestabstand zwischen den Flügeln und dem Boden 2,3 Meter und der Mindestabstand zwischen der Spitze der Flügel und der Wand 30 cm beträgt.
- Achten Sie auch darauf, dass sich die Ventilatorflügel ungehindert drehen können. (Fenster, Türen, Schränke usw.)
- Stellen Sie nach der Installation des Ventilators sicher, dass alle Befestigungselemente fest angebracht sind, damit der Ventilator nicht herunterfallen kann.
- Halten Sie während des Betriebs des Ventilators keine Gegenstände in die Ventilatorflügel.

Achten Sie bei der Installation des Ventilators darauf, dass ein Mindestabstand zu den Wänden und dem Boden gewahrt bleibt und dass sich die Flügel bei eingeschaltetem Ventilator frei und ungehindert drehen können.



Die Komponenten des Ventilators



- 1 | Haltestange und Kugelgelenk
- 2 | Deckenverkleidung
- 3 | Dekorative Abdeckung
- 4 | Motoradapterabdeckung

- 5 | Ventilatormotor
- 6 | Bodenverkleidung
- 7 | Aufhängebügel
- 8 | Schraubensatz

- 9 | Auswucht-Set
- 10 | Abdeckung
- 11 | Fernbedienung
- 12 | Ventilatorflügel

ENGLISH

DEUTSCH

ESPAÑOL

ITALIANO

FRANÇAIS

عربي

עברית

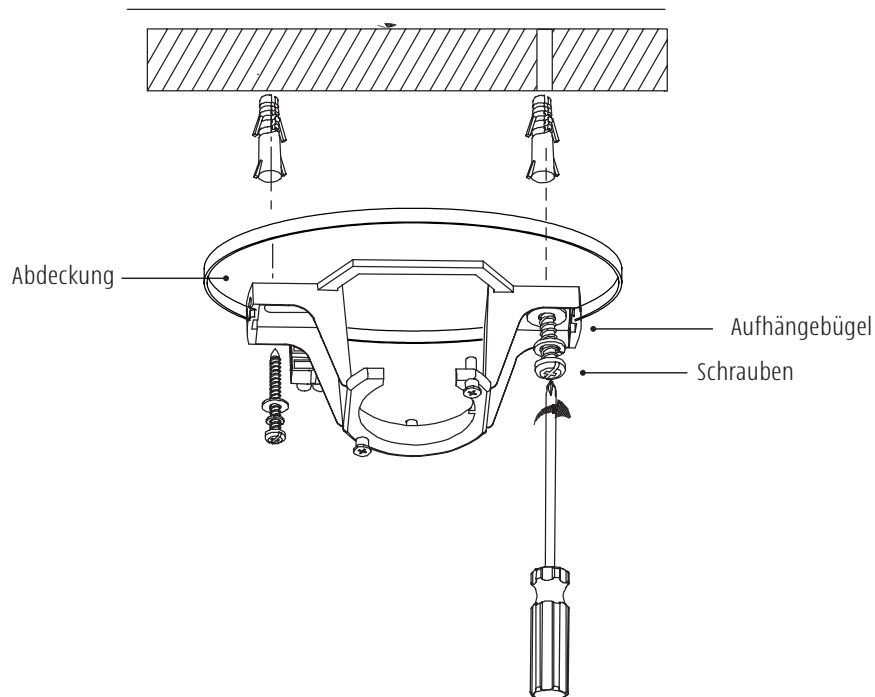
Montageanleitung

1. Öffnen der Verpackung und Vorbereitung der Installation

- Nehmen Sie den Deckenventilator vorsichtig aus der Verpackung und legen Sie den Ventilatormotor und die Flügel auf ein Tuch oder eine weiche Oberfläche. Das Ablegen des Motors oder der Flügel auf einer harten Oberfläche kann die Beschichtung beschädigen.
- Dieser Deckenventilator wird mit einem Satz passender Flügel geliefert. Tauschen oder kombinieren Sie keine Flügel von anderen Produkten. Die Verwendung von anderen als den mitgelieferten Flügeln kann Fehlfunktionen verursachen und führt zum Erlöschen Ihrer Garantie.
- Überprüfen Sie vor Beginn der Installation, ob sämtliche Teile vorhanden und einsatzbereit sind, einschliesslich aller für die Installation eventuell erforderlichen Zubehörteile. Verwenden Sie nur Originalzubehör von Swing Ventilatoren.

2. Montage des Aufhängebügels

- Montieren Sie den Aufhängebügel mit geeigneten Befestigungselementen auf einer ebenen Fläche, die an einem Holzbalken oder Beton angebracht sein sollte (die beigefügten Schrauben sind für Normalbeton vorgesehen. Bei anderen Strukturen sollten entsprechende Befestigungselemente eingesetzt werden).
- **Verwenden Sie alle beiliegenden Schrauben und montieren Sie den Aufhängebügel keinesfalls nur an Gipskartonplatten.**



Montageanleitung

ENGLISH

DEUTSCH

ESPAÑOL

ITALIANO

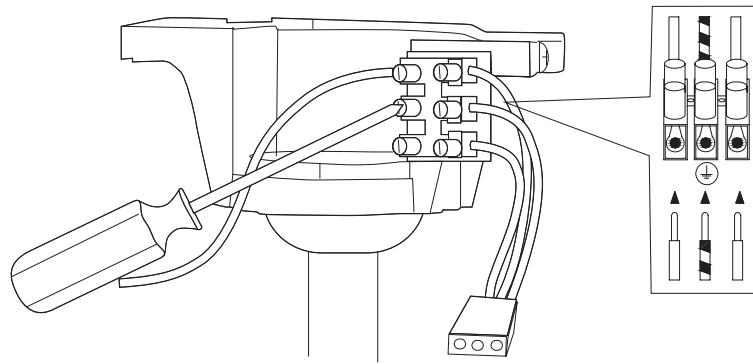
FRANÇAIS

عربيہ

עברית

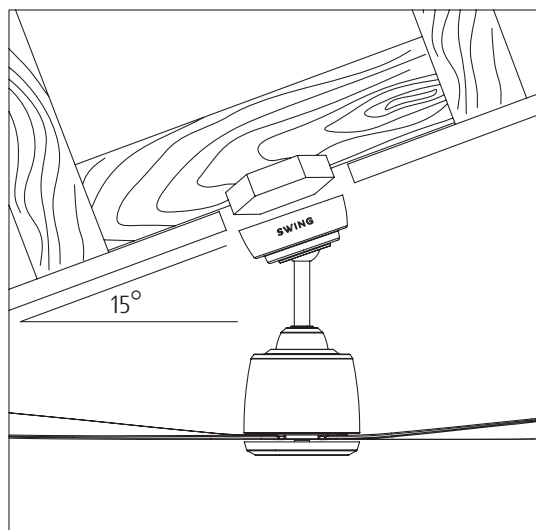
3. Netzanschluss

Schliessen Sie das Stromnetz (220–240 V) gemäss den Angaben auf der Klemmenleiste an.



4. Montage des Deckenventilators in einem Winkel

Dieser Ventilator kann bei einer Deckenschräge von bis zu 15 Grad montiert werden.



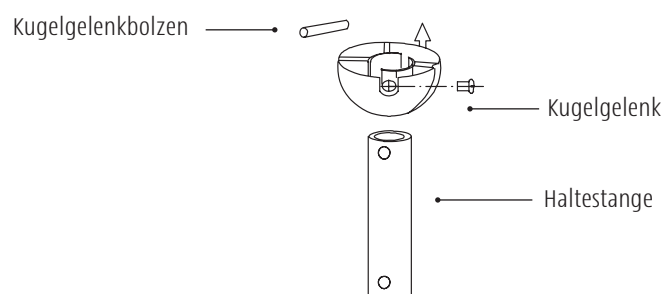
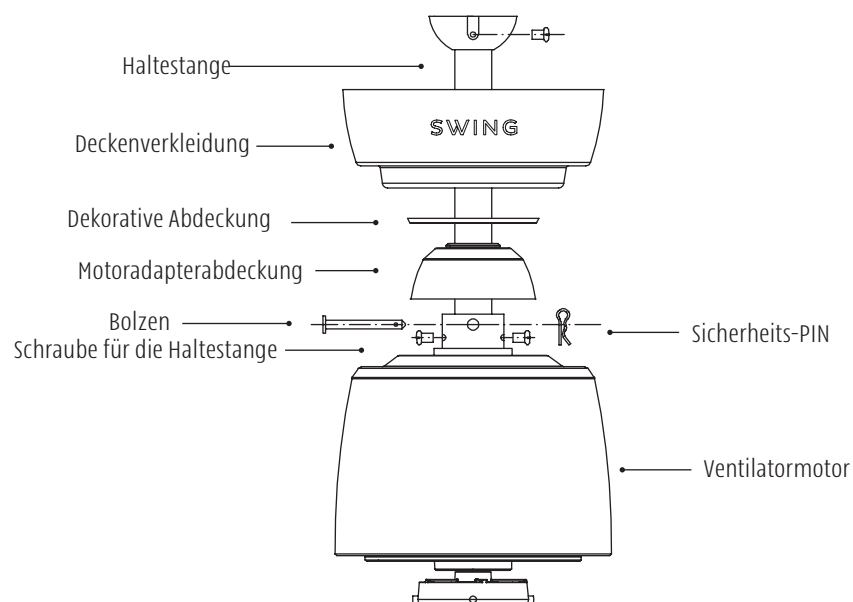
5. Montage der Haltestange und der Deckenverkleidung

- Lösen Sie die Schraube des Kugelgelenks und entfernen Sie den Bolzen des Kugelgelenks, sodass dieses von der Haltestange gelöst werden kann.
- Führen Sie die Kabel durch die Motoradapterabdeckung, die dekorative Abdeckung, die Deckenverkleidung und die Haltestange.
- Setzen Sie die Haltestange oben auf das Motorgehäuse des Ventilators und richten Sie die Befestigungslöcher aus.
- Führen Sie den Bolzen durch die Haltestange (achten Sie darauf, dass die Leitungen nicht beschädigt werden) und führen Sie den Sicherungsbolzen ein.

Achtung! Nehmen Sie die Montage der Haltestange und der oberen Abdeckung mit manuellem und nicht-elektrischem Werkzeug vor.

Achtung! Ziehen Sie unbedingt die 2 Schrauben der Haltestange am Gehäuse des Ventilatormotors fest.

- Ziehen Sie die Abdeckung des Motoradapters über das Gehäuse des Ventilatormotors.
- Setzen Sie das Kugelgelenk wieder ein und achten Sie auf einen ordnungsgemässen Einsatz des Kugelgelenkbolzens und der Gelenkschraube.



Montageanleitung

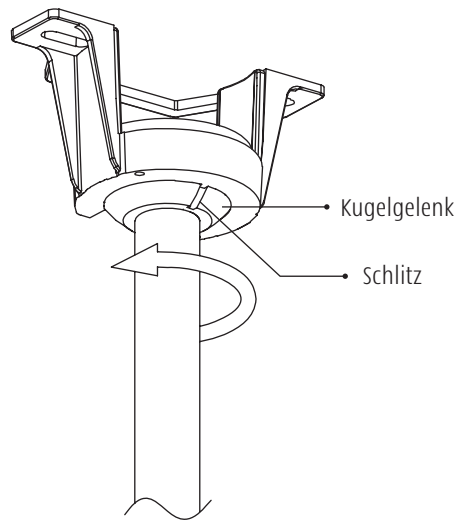
ENGLISH

6. Anbringen des Ventilators

- Heben Sie den Ventilatormotor vorsichtig an.
- Setzen Sie das Kugelgelenk in den Aufhängebügel ein, sodass sich die Nut im Schlitz befindet. Bei korrekter Installation sollte sich die Haltestange nicht mehr drehen.

Achtung! Um einen störungsfreien Betrieb des Ventilators zu gewährleisten, müssen alle zur Aufhängung des Ventilators vorgesehenen Schrauben fest angezogen sein.

DEUTSCH



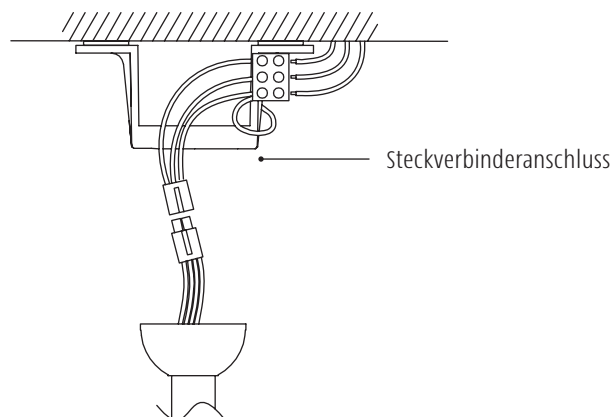
ESPAÑOL

ITALIANO

7. Anschluss des Deckenventilators an das Stromnetz

Nachdem der Deckenventilator ordnungsgemäss angebracht wurde, schliessen Sie den Steckverbinder der Klemmleiste an (Stecker zu Buchse).

FRANÇAIS

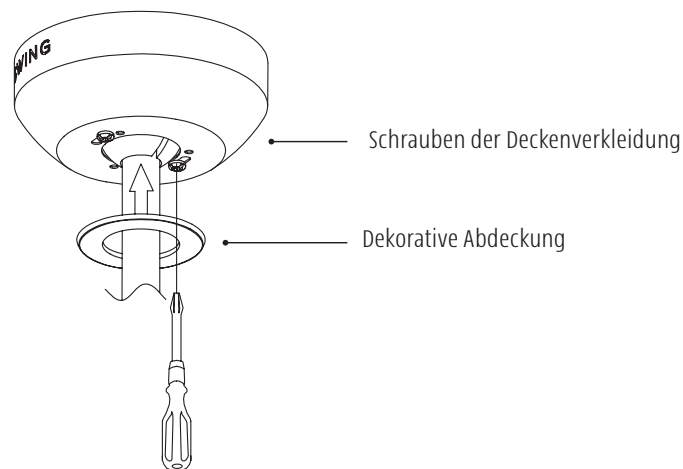


عربي

עברית

8. Anbringen der Deckenverkleidung

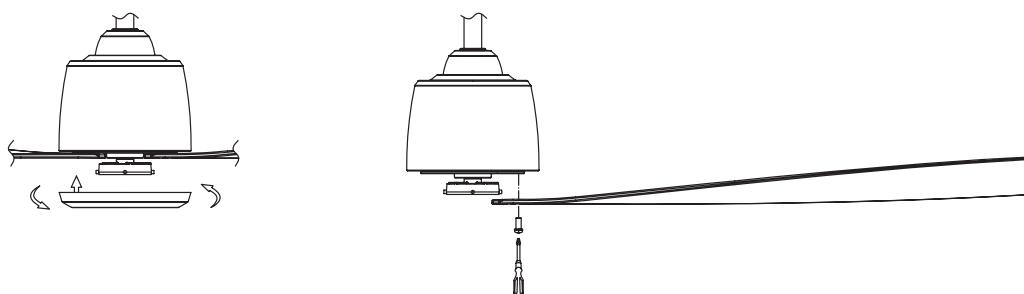
- Heben Sie die Deckenverkleidung über den Aufhängebügel.
- Drehen Sie die Deckenverkleidung und ziehen Sie die Schrauben fest.
- Decken Sie die Schrauben mit der dekorativen Abdeckung ab.



9. Einsetzen der Flügel und Anschliessen der Bodenverkleidung

- Achten Sie darauf, dass die Flügel in die richtige Richtung eingesetzt sind. Beachten Sie die Kennzeichnung „Diese Seite nach oben“ auf den Ventilatorflügeln.
- Die Flügel sind nicht umkehrbar.
- Führen Sie die Schrauben in den Flügel ein und befestigen Sie sie am Motor.
- Wiederholen Sie diesen Vorgang für alle weiteren Flügel.

Schliessen Sie die Bodenverkleidung vorsichtig an und drehen Sie sie im Uhrzeigersinn.




Koppeln der Fernbedienung

ENGLISH

Achtung! Bei der Installation eines Deckenventilators ist das Koppeln der Fernbedienung erforderlich.

Dieser Vorgang verbindet die Fernbedienung mit einer eindeutigen Frequenz zum Ventilator.
Auf diese Weise verhindern Sie Frequenzstörungen und Interferenzen zwischen den Ventilatoren.

DEUTSCH

- Schalten Sie die Stromzufuhr zum Ventilator durch Betätigen des Wandschalters aus.
- Schalten Sie die Stromzufuhr zum Ventilator wieder ein. Stellen Sie sicher, dass auch alle anderen Ventilatoren von der Stromzufuhr getrennt sind.
- Halten Sie innerhalb von 60 Sekunden nach Einschalten des Ventilators die Ein-/Aus-Taste auf der Fernbedienung  8 Sekunden lang gedrückt, bis die Leuchtanzeige zweimal blinkt (wenn keine Leuchtanzeige vorhanden ist, erfolgt keine Meldung).
- Die Fernbedienung ist nun mit dem Ventilator gekoppelt und alle Aktionen der Fernbedienung werden empfangen.

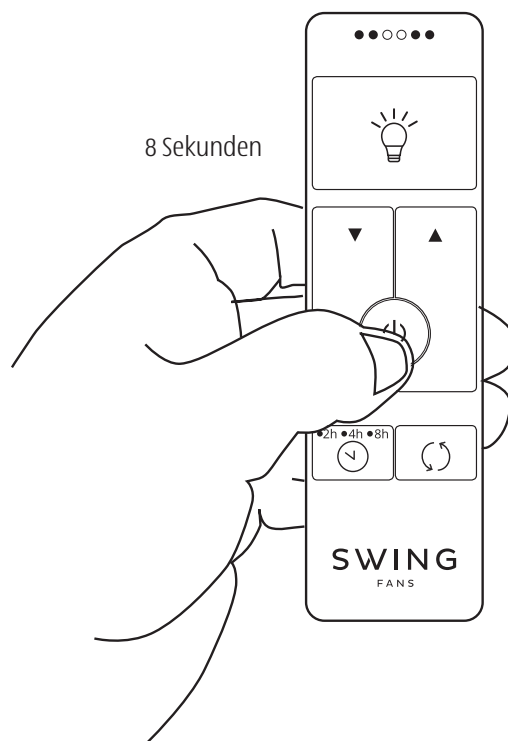
ESPAÑOL

ITALIANO

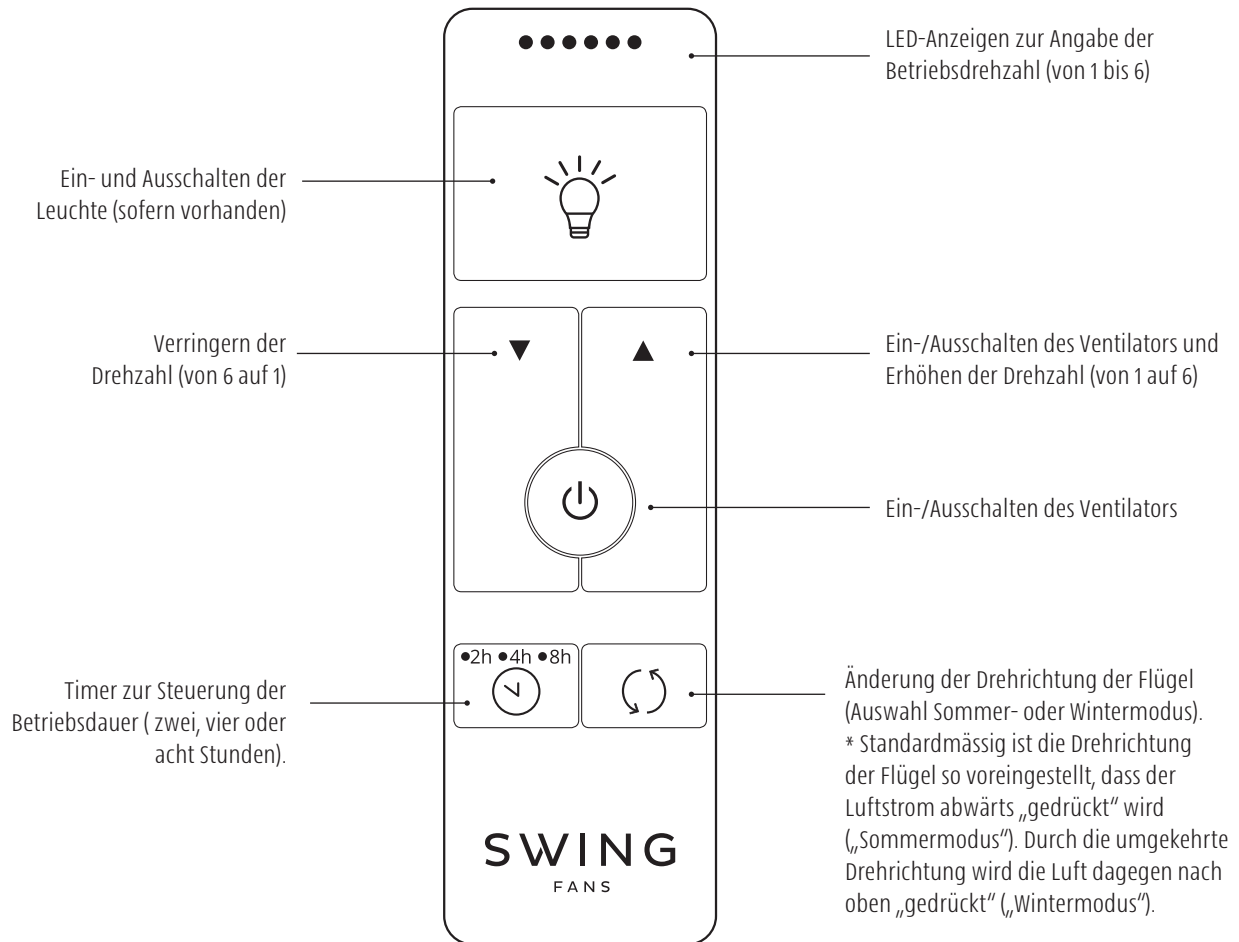
FRANÇAIS

عربي

עברית



Funktions- und Betriebsweise der Fernbedienung



Achtung!

- Die Fernbedienung wird über Funk betrieben und muss sich in einer Reichweite von bis zu 8 Metern vom Ventilator befinden.
- Beim Wechsel der Funktionen sollten Sie einige Sekunden warten, bis der Ventilator die Übertragung empfängt und den Vorgang ausführt, vor allem nach einer Änderung der Drehrichtung der Flügel.
- Die Fernbedienung wird mit einer speziellen Wandhalterung geliefert, welche mit zwei Schrauben befestigt werden kann.
- Die Anzeigeleuchten bleiben nicht dauerhaft an, sondern leuchten eine Sekunde lang auf und erlöschen dann.

ENGLISH

DEUTSCH

ESPAÑOL

ITALIANO

FRANÇAIS

عربية

עברית

Allgemeine Bedienungshinweise, Fehlerbehebung

ENGLISH

Erstmalige Inbetriebnahme des Ventilators

- Achten Sie darauf, dass alle Schrauben fest angezogen und die elektrischen Anschlüsse sicher angebracht sind.
- Vergewissern Sie sich, dass sich die Ventilatorflügel ungehindert drehen können.
- Überprüfen Sie, ob das Gerät eingeschaltet und an eine elektrische Spannung angeschlossen ist.
- Nachdem Sie sich überzeugt haben, dass der Ventilator mit elektrischer Spannung gespeist wird, schalten Sie den Ventilator etwa 5 Minuten lang auf hohe Drehzahl.

Achtung! Es kann bis zu 30 Sekunden dauern, bis der Ventilator die gewünschte Geschwindigkeit erreicht hat.

DEUTSCH

Fehlerbehebung

Hinweis! Bevor Sie mit der Fehlerbehebung oder Reparatur des Gerätes beginnen, vergewissern Sie sich, dass das Gerät von der Stromzufuhr getrennt ist.

ESPAÑOL

Schaltet sich der Ventilator nur schwer bzw. gar nicht ein?

- Überprüfen Sie alle elektrischen Anschlüsse, einschliesslich des Wandschalters und des Schutzschalters im Sicherungskasten.
- Stellen Sie sicher, dass kein Gegenstand/keine Schraube die Flügel in ihrer Rotation behindert.
- Stellen Sie sicher, dass die Batterie der Fernbedienung neu und richtig eingelegt ist.
- Achten Sie darauf, die Einschalttaste für den Ventilator auf der Fernbedienung zu betätigen.
- Stellen Sie den Ventilator auf die höchste Geschwindigkeit ein.
- Überprüfen Sie, ob die Fernbedienung und der Ventilator gekoppelt sind und reparieren Sie ggf. die Fernbedienung des Ventilators (Seite 12).

ITALIANO

Schwacher Luftstrom?

- Vielleicht rotiert der Ventilator in die entgegengesetzte Richtung (Wintermodus) – überprüfen Sie die Einstellung für Sommer-/Wintermodus und vergewissern Sie sich, dass der entsprechende Betriebsmodus für die jeweilige Jahreszeit eingestellt ist.
- Vergewissern Sie sich, dass die Flügel in der entsprechenden Richtung angebracht sind und dass die Kennzeichnung „Diese Seite nach oben“ zur Decke zeigt.
- Stellen Sie sicher, dass der Ventilator für die Grösse des Raums geeignet ist.
- Überprüfen Sie, ob der Abstand zwischen der Decke und den Flügeln weniger als 20 cm beträgt. Sollte dies der Fall sein, wird der Luftstrom erheblich reduziert.

FRANÇAIS

عربي

Macht der Ventilator Lärm?

- Wenn es sich um ein „mechanisches“ Geräusch handelt, vergewissern Sie sich, dass die Flügel fest verankert und alle Schrauben fest angezogen sind, dass die Leuchte ordnungsgemäss installiert wurde und alle Leitungen richtig angeschlossen sind.
- Bei einem „elektrischen“ Geräusch, das hauptsächlich abends oder am frühen Morgen zu vernehmen ist, kann die Ursache in elektrischen Impulsen liegen, die über die Stromleitungen gesendet werden.

עברית

Achtung! Einige Geräusche lassen sich nicht vermeiden und sind nicht von der Garantie abgedeckt.

Wackelt oder vibriert der Ventilator?

- Wenn sich Deckenventilatoren drehen, neigen sie zu leichten Vibrationen, insbesondere bei hohen Drehzahlen (dies ist der Grund, warum sie mit einem flexiblen Kugelgelenk versehen sind, welches eine freie Bewegung ermöglicht). Ventilatoren, die mit einer verlängerten Haltestange installiert sind, neigen eher zum Wackeln als Ventilatoren, die mit einer standardmässigen Haltestange installiert sind.
- Sollte der Ventilator übermässig wackeln oder vibrieren, kann dies an losen oder unausgewuchteten Flügeln liegen. Stellen Sie in diesem Fall sicher, dass alle Flügel sicher am Ventilator befestigt sind, dass keine Schrauben fehlen und dass sämtliche Schrauben angezogen sind. Vergewissern Sie sich auch, dass der Aufhängebügel sachgemäss an der Decke angebracht ist.
- Falls erforderlich, können die Flügel mit dem im Lieferumfang des Ventilators enthaltenen Flügelwucht-Set ausgewuchtet werden.
- Wenn der Deckenventilator übermässig stark wackelt, stellen Sie die Verwendung des Ventilators sofort ein und wenden Sie sich an den Kundendienst.
- Alle Flügelsätze sind nach Gewicht als ein Satz gruppiert. Die Kombination von Flügeln anderer Ventilatoren kann bewirken, dass der Ventilator wackelt und vibriert.

Achtung! Um langfristige Beschädigungen zu vermeiden, ist das Auswuchten des Ventilators schnellstmöglich erforderlich. Das Auswuchten des Ventilators ist nicht durch die Garantie abgedeckt.

Wartung

- Um die Optik des Deckenventilators und seine Unversehrtheit zu wahren, sollten Sie das Gerät regelmässig reinigen und entstauben (mit nicht scheuernden Reinigungsmitteln). Die Ablagerung von Staub und Verschmutzung ist unästhetisch und beeinträchtigt die Leistung des Ventilators.
- Aufgrund der natürlichen Bewegung des Ventilators können sich einige Anschlüsse im Laufe der Zeit lösen. Überprüfen Sie die Verbindungen und Flügel des Ventilators und ziehen Sie die Schrauben bei Bedarf an. (Zur Durchführung der Arbeiten ist es nicht erforderlich, den Ventilator von der Decke zu entfernen)

Garantiebedingungen

ENGLISH

Bei allen SWING -Produkten handelt es sich um hochwertige Ventilatoren. Die Garantie bezieht sich auf den Motor, das Ventilatorgehäuse, die Flügel und die Beleuchtungselemente, die Komponenten der von SWING verkauften Ventilatoren sind.

Die Montage ist gemäss dieser Anleitung durchzuführen und muss den örtlichen Elektrovorschriften entsprechen.

DEUTSCH

Produkte

- Diese Garantie bezieht sich auf alle von der Marke SWING hergestellten Produkte. Deckenventilatoren, Deckenventilatoren für den Aussenbereich, Industrieventilatoren und für die Deckenventilatoren passende Beleuchtungen. Diese Garantie umfasst keine Glühbirnen und Verbrauchsmaterialien.
- Schäden, die durch grobe Handhabung bei der Installation entstanden sind, fallen nicht unter die Garantie.

Garantielaufzeit

- Die Garantielaufzeit für SWING-Produkte beträgt ein Jahr. Nach Ablauf der einjährigen Garantielaufzeit ist Folgendes gültig:
- Die Garantie auf den Ventilatormotor beträgt 3 Jahre.

ESPAÑOL

ITALIANO

Garantiebedingungen

- Die angebotene Garantie für SWING-Produkte ist unter folgenden Bedingungen gültig:
- Die Produkte sind entsprechend den Anwendungsspezifikationen des Produkts zu verwenden.
 - Die Garantie deckt nur Produktfehler ab, die auf Material-, Verarbeitungs- und/oder Herstellungsfehler zurückzuführen sind.
 - Nur lizenzierte SWING-Techniker sind zur Wartung von SWING-Produkten berechtigt. Bei Wartungs- und/oder Reparaturarbeiten durch einen nicht von SWING autorisierten Techniker erlischt die Garantie.

FRANÇAIS

عربيہ

עברית

Reparatur eines Produkts unter Garantie

- Bei einer Fehlfunktion des Produkts kann SWING nach eigenem Ermessen entscheiden, ob Komponenten oder Produkte repariert werden, ob ein ähnliches Produkt als Ersatz geliefert oder ob dem Kunden der ursprüngliche Kaufpreis erstattet wird.
- SWING entscheidet nach eigenem Ermessen, ob das Produkt beim Kunden zu Hause oder in einem SWING-Labor getestet werden soll.
- Von der Garantiereparatur ausgeschlossen sind Schäden, die durch Spannungsabfall, Blitzschlag, Schwankungen der Netzspannung oder den Anschluss an eine alternative Stromversorgung (z. B. Solaranlagen) entstehen.
- Schäden, die durch grobe Handhabung bei der Installation entstanden sind, fallen nicht unter die Garantie.
- Wenn beim Öffnen der Verpackung ein Defekt am Ventilator festgestellt wird, installieren Sie ihn nicht, sondern benachrichtigen Sie sofort das Unternehmen und senden Sie das Produkt an die Verkaufsstelle zurück, bei der Sie es erworben haben.
- Der Kunde oder Endverbraucher trägt alle Kosten, die durch den Aus- und Wiedereinbau der Deckenventilatoren entstehen, sowie die Versandkosten für den Transport und die Rücksendung der Produkte. Sämtliche Versandkosten gehen zu Lasten des Kunden.
- Sonstige Kosten wie: Kosten für den Ersatz von Komponenten während der Montage, Reparaturen aufgrund von Montagefehlern, sonstige Arten von Schäden bzw. Folgeschäden – werden von dieser Garantie nicht abgedeckt.
- Wenn eine Reparatur im Haushalt des Kunden erforderlich ist – gehen die Kosten für die Lieferung, die Montage und den Einsatz von spezieller Ausrüstung (wie z.B. Gerüste, Gabelstapler), die den Zugang zu den Deckenventilatoren ermöglichen soll – zulasten des Kunden/Eigentümers des Ortes.
- Das Unternehmen ist in keinem Fall verantwortlich und übernimmt auch keinerlei Kosten für Demontage, Montage, Transport oder sonstige Ausgaben, die für die Übergabe des Ventilators an das Servicezentrum und die Rücksendung an den Kunden anfallen.

Einreichen einer Produktreparaturanfrage unter Garantie

- Eine Reparaturanfrage unter Garantie sollte unverzüglich gestellt werden, wobei ein Service-Ticket über die Website zu öffnen ist und gegebenenfalls eine Originalrechnung des Kaufs vorzulegen und das defekte Produkt einzusenden ist. Auf diese Weise können die SWING-Vertreter die Gültigkeit der Produktgarantie und den Umfang der Anfrage überprüfen.

Um die Informationen in den Datenbanken von SWING zu wahren, empfiehlt es sich, das beigefügte Garantiefeld auszufüllen und unmittelbar nach dem Kauf des Ventilators an uns zu senden. Um die Identifizierung und den Reparaturprozess im Falle einer Fehlfunktion zu erleichtern, empfehlen wir Ihnen ausserdem, diesem Formular die Originalrechnung des Kaufs beizulegen.

ENGLISH

DEUTSCH

ESPAÑOL

ITALIANO

FRANÇAIS

عربيه

עברית

Garantieformular

ENGLISH

Das Garantieformular wird wie folgt akzeptiert:

1. Dieses Formular ist vollständig ausgefüllt.
2. Kaufrechnung.
3. Details zum Monteur.

DEUTSCH

Details zum Kunden

Name des Kunden:

Adresse:

Telefon:

Mobiltelefon:

E-Mail:

ESPAÑOL

Details zum Kauf

Name des Geschäfts, in dem der Kauf getätigt wurde:

Kaufdatum:

Produktname:

ITALIANO

FRANÇAIS

Details zum Monteur (falls zutreffend)

Name und Adresse der Firma des Monteurs:

Datum der Montage:

Name des Monteurs:

Telefon:

عربي

עברית

Es empfiehlt sich, eine Kopie dieses Formulars zusammen mit einer Originalrechnung unmittelbar nach der Installation einzusenden, damit die Informationen in den Datenbanken des Unternehmens erfasst werden.

Das Formular kann online ausgefüllt werden unter: www.swingfans.com

**Ansprechpartner für die
Inanspruchnahme der Garantie:**
www.swingfans.com

SWING

FANS

Manual de instalación del ventilador de techo SWING

DIAMOND DAMP | ref: 85113

3
Años de
garantía

LA BRISA E

SWING

FANS



ECOLÓGICA

Asegúrese de leer atentamente este manual y toda la información de seguridad antes de instalar su nuevo ventilador.

ENGLISH

DEUTSCH

ESPAÑOL

ITALIANO

FRANÇAIS

عربيہ

עברית

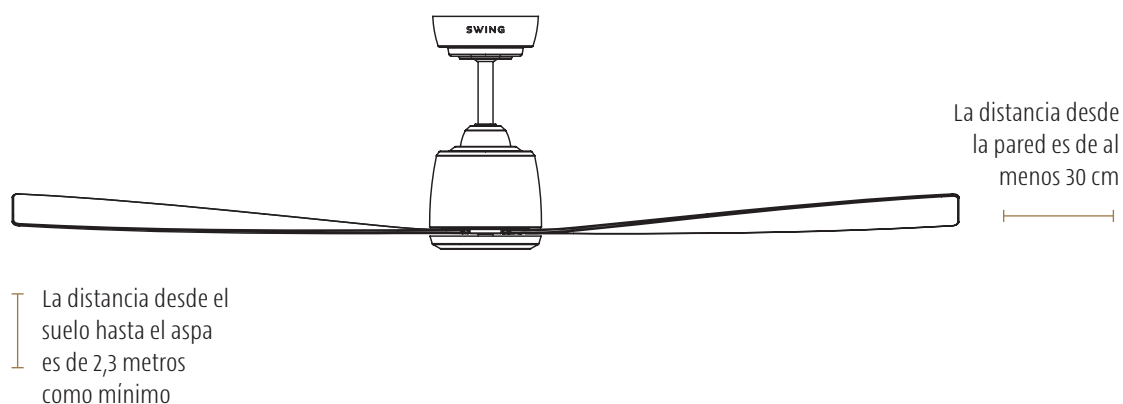
¡Atención! El ventilador de techo y sus accesorios se deben instalar de acuerdo con las instrucciones de seguridad, de cableado y de instalación especificadas en este manual. Una instalación no conforme con las instrucciones podría dañar el ventilador y constituir una violación de las condiciones de garantía especificadas en la Garantía*

* El anexo de garantía se encuentra al final de este manual

Instrucciones generales de seguridad

- Antes de realizar cualquier operación de mantenimiento o limpieza, apague el ventilador y espere a que las aspas se detengan por completo.
- Este ventilador está destinado a interiores y exteriores.
- Este ventilador tiene un motor tipo CC.
- Los ventiladores SWING solo deben instalarse y operarse utilizando accesorios, mando a distancia, varillas de bajada y aspas SWING.
- Este ventilador de techo se debe conectar de forma segura a una estructura sólida. ¡Bajo ninguna circunstancia se debe instalar el soporte de suspensión solo en placas de yeso!
- ¡Utilice todos los tornillos que se suministran con el ventilador! No utilizar todos los tornillos supone un riesgo para la seguridad y podría provocar lesiones graves.
- Asegúrese de que los accesorios utilizados para instalar el soporte de suspensión en el techo estén adaptados para soportar un peso en movimiento de al menos 30 kg.
- Las aspas solo deben montarse en el motor del ventilador una vez que éste se haya colgado correctamente en el techo. El montaje de las aspas con el motor en el suelo o sobre cualquier otra superficie podría dañarlas o doblarlas.
- Antes de iniciar cualquier tipo de trabajo eléctrico, corte la alimentación en el disyuntor de la caja de fusibles.
- Este ventilador de techo debe estar conectado a tierra.
- No desconecte los enchufes del cableado ni modifique el cableado en modo alguno.
- Asegúrese de que la distancia mínima entre las aspas y el suelo sea de 2,3 metros y que la distancia entre la punta de las aspas y la pared sea de 30 cm como mínimo.
- Asegúrese de que las aspas del ventilador puedan girar libremente sin obstrucciones en ventanas, puertas, armarios, etc.
- Tras montar el ventilador, asegúrese de que todos los componentes de montaje estén bien sujetos para evitar la caída del ventilador.
- No introduzca nada en las aspas del ventilador mientras esté en funcionamiento.

Al instalar el ventilador, asegúrese de mantener una distancia mínima de las paredes y el suelo y de que las aspas puedan girar libremente sin ningún obstáculo al estar el ventilador encendido.



Los componentes del ventilador

ENGLISH

DEUTSCH

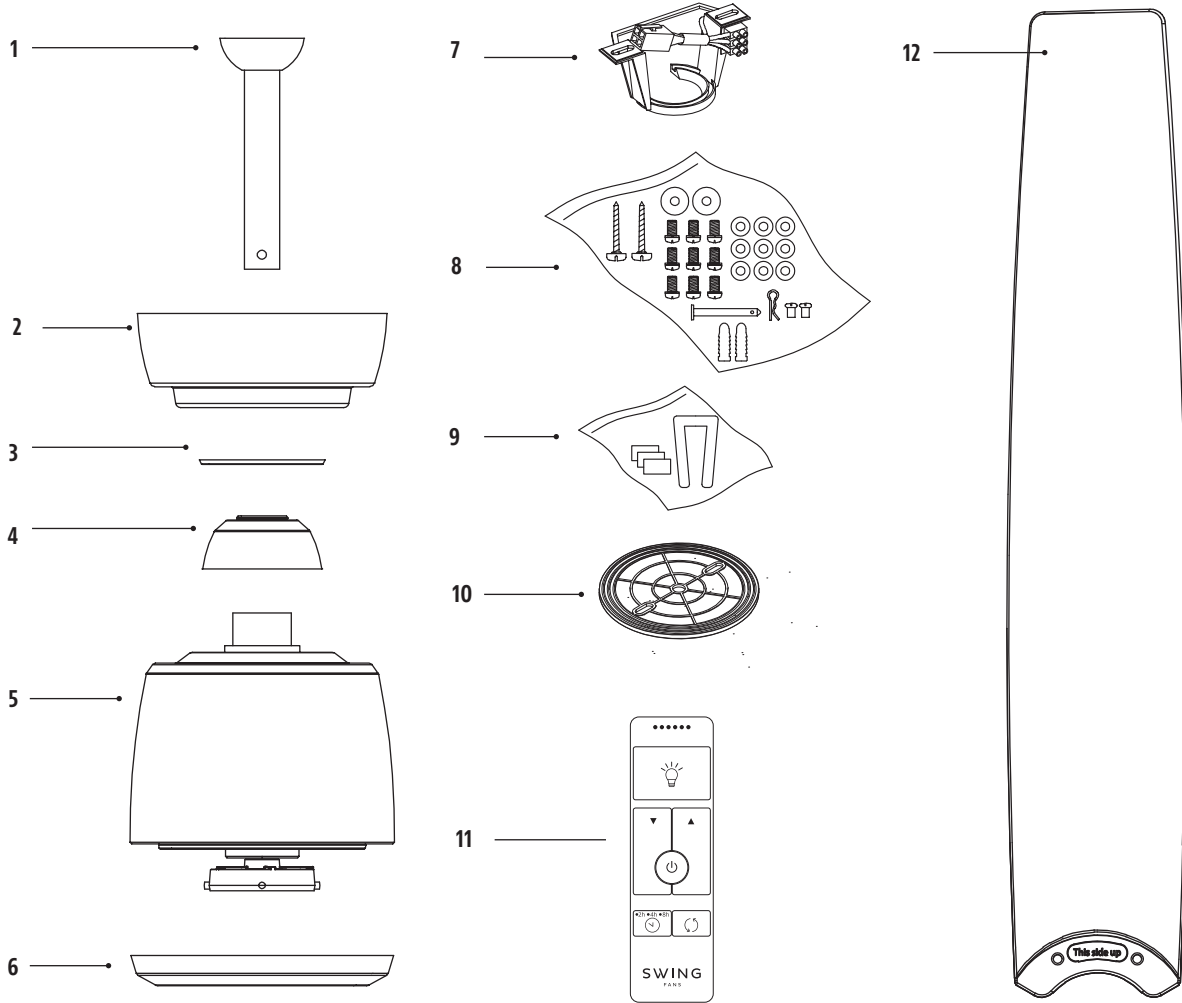
ESPAÑOL

ITALIANO

FRANÇAIS

عربي

עברית



1 | Varilla de bajada y rótula

2 | Cubierta de techo

3 | Cubierta decorativa

4 | Cubierta del adaptador del motor

5 | Motor del ventilador

6 | Cubierta inferior

7 | Soporte de suspensión

8 | Kit de tornillos

9 | Kit de equilibrio

10 | Cubierta

11 | Mando a distancia

12 | Aspas del ventilador

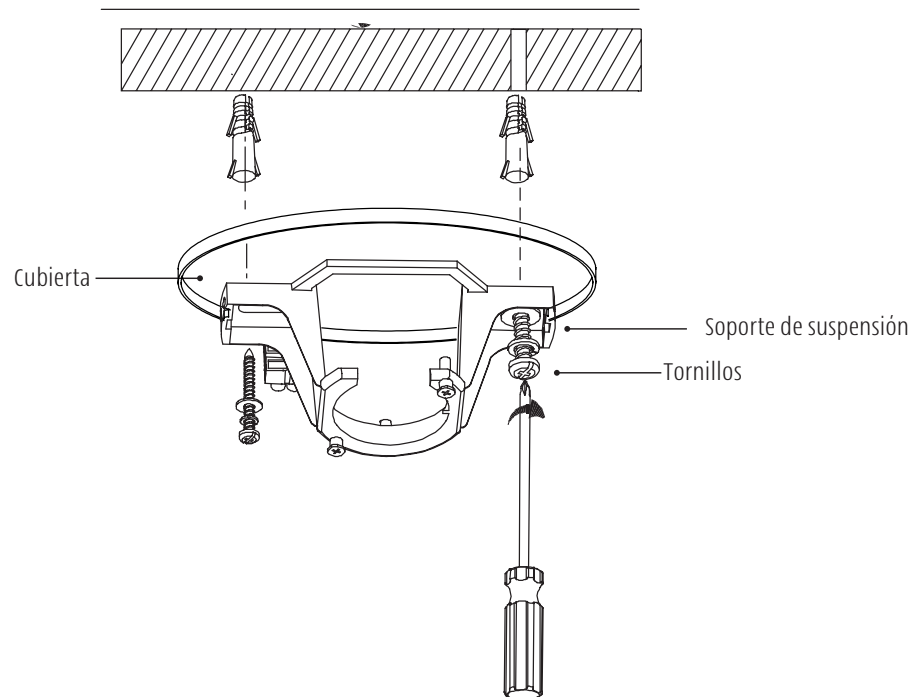
Instrucciones de instalación

1. Apertura del embalaje y preparativos antes de instalar

- Retire con cuidado el ventilador de techo del embalaje y coloque el motor y las aspas sobre un paño o una superficie suave. Colocar el motor o las aspas sobre una superficie dura podría dañar el acabado.
- Este ventilador de techo se suministra con un juego de aspas que combinan. No mezcle ni cambie aspas de productos diferentes. El uso de aspas diferentes a las suministradas puede dar lugar a averías y anular la garantía.
- Antes de comenzar la instalación, verifique que todas las piezas estén presentes y disponibles para su uso, incluidos los accesorios que puedan ser necesarios para la instalación. Utilice únicamente accesorios originales del ventilador Swing.

2. Instalación del soporte de suspensión

- Fije el soporte de suspensión a una superficie plana utilizando sujetadores adecuados, que deben fijarse a una viga de madera u hormigón (los tornillos adjuntos están diseñados para hormigón estándar. En otros tipos de estructuras, utilizar elementos de fijación de instalación adecuados).
- **Se deben utilizar todos los tornillos proporcionados y bajo ninguna circunstancia se debe instalar el soporte de suspensión solo en placas de yeso.**



Instrucciones de instalación

ENGLISH

DEUTSCH

ESPAÑOL

ITALIANO

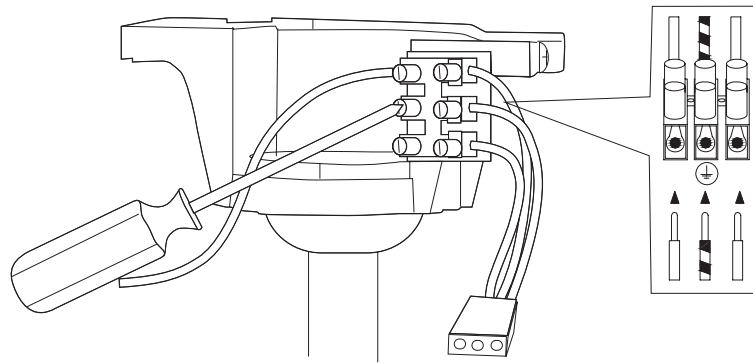
FRANÇAIS

عربي

עברית

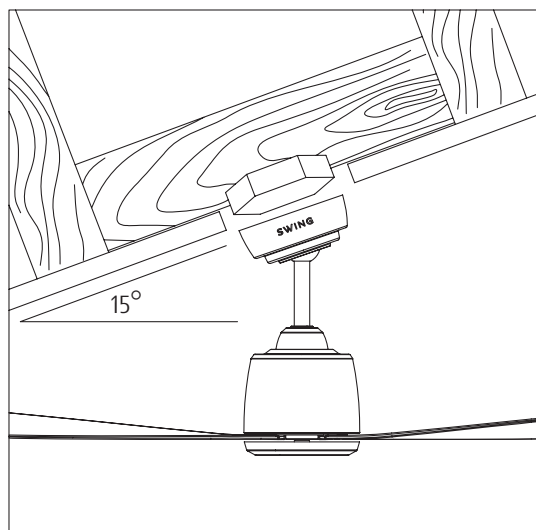
3. Conexión a la red

Conecte la fuente de alimentación de 220-240 voltios al bloque de terminales de acuerdo con la señalización.



4. Instalación del ventilador de techo en ángulo

Este ventilador puede instalarse con una inclinación del techo de hasta 15 grados.



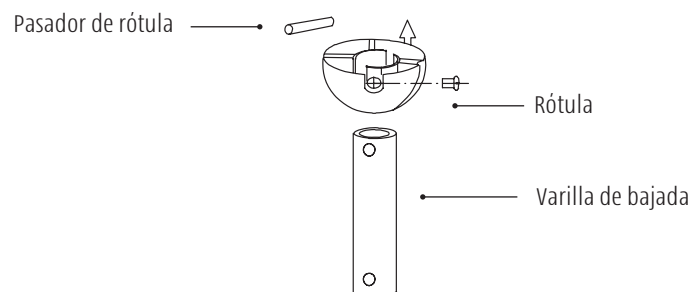
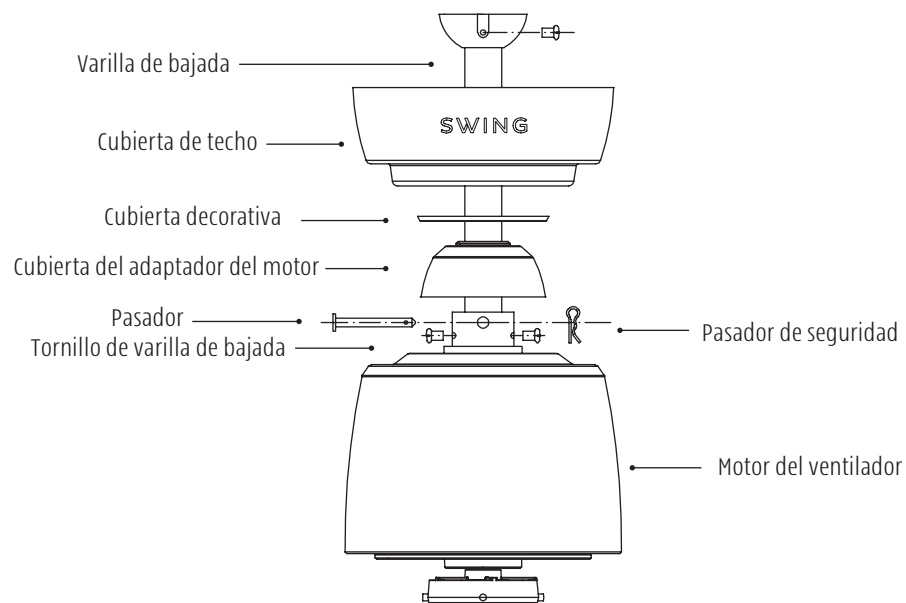
5. Montaje de la varilla de bajada y la cubierta del techo

- Afloje el tornillo de la rótula y retire el pasador de la misma, de forma que se pueda desmontar la rótula de la varilla de bajada.
- Pase el cableado a través de la cubierta del adaptador del motor, la cubierta decorativa, la cubierta de techo y la varilla de bajada.
- Coloque la varilla de bajada encima de la carcasa del motor del ventilador y alinee los orificios.
- Inserte el pasador a través de la varilla de extensión —asegúrese de que los cables no estén dañados— e inserte el pasador de seguridad.

¡Atención! Realice el montaje de la varilla de bajada y la cubierta superior con herramientas manuales, no eléctricas.

¡Atención! Es obligatorio apretar los 2 tornillos de la varilla de bajada a la carcasa del motor del ventilador.

- Deslice la cubierta del adaptador del motor sobre la carcasa del motor del ventilador.
- Vuelva a montar la rótula y asegúrese de que el pasador y el tornillo de la rótula estén correctamente instalados.



Instrucciones de instalación

ENGLISH

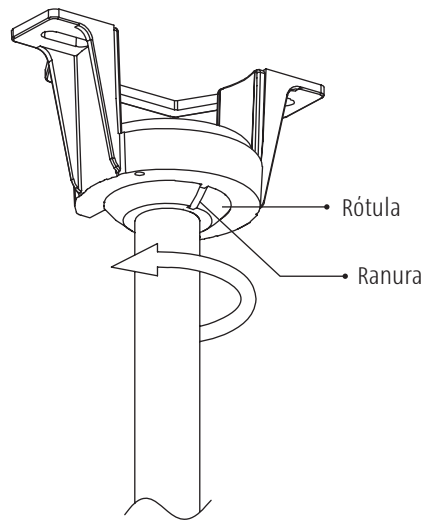
6. Cómo colgar el ventilador

- Levante con cuidado el motor del ventilador.
- Coloque la rótula en el soporte de suspensión, de modo que la muesca quede ubicada en la ranura. Si esto se hace correctamente, la varilla de bajada no debe girar.

¡Atención! Para garantizar el buen funcionamiento del ventilador, es importante apretar firmemente todos los tornillos destinados a colgarlo.

DEUTSCH

ESPAÑOL



ITALIANO

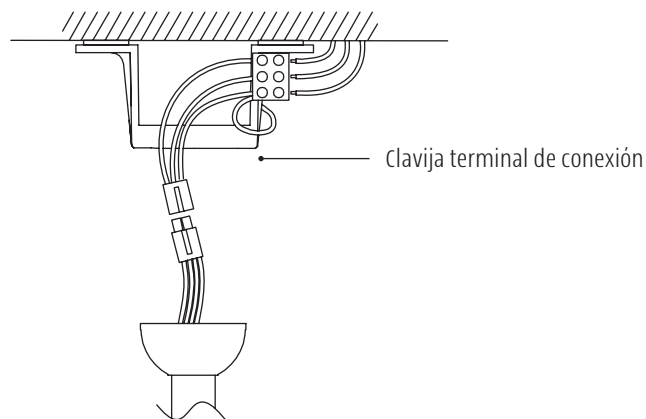
7. Conexión del ventilador de techo al suministro eléctrico

Tras colgar correctamente el ventilador de techo, conecte el conector del terminal (macho a hembra).

FRANÇAIS

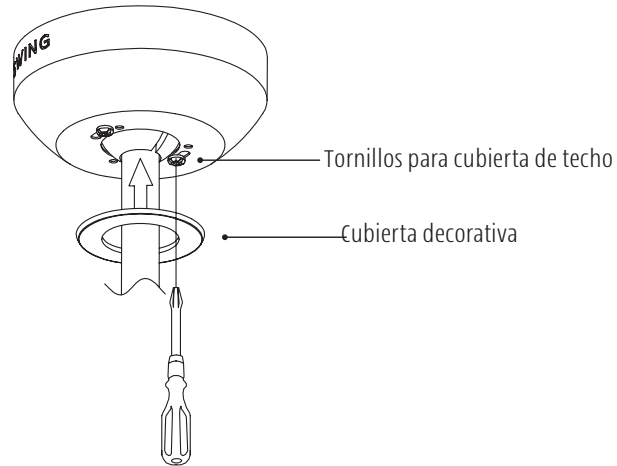
عربي

עברית



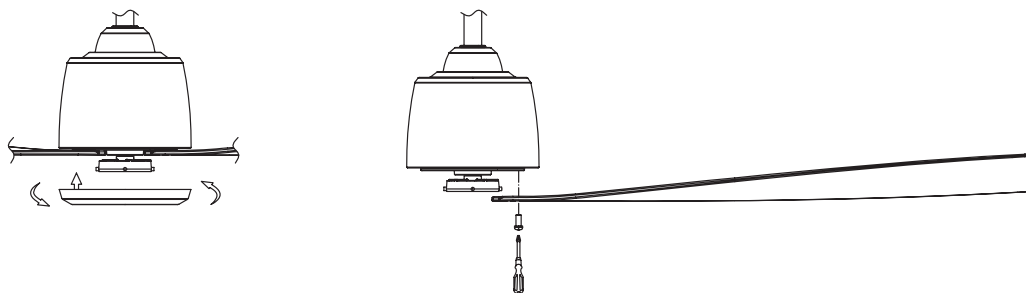
8. Conexión de la cubierta del techo

- Levante la cubierta del techo por encima del soporte de suspensión.
- Gire la cubierta del techo y apriete los tornillos.
- Cubra los tornillos con la cubierta decorativa.



9. Montaje de las aspas y conexión de la cubierta inferior

- Verificar que las aspas estén instaladas en la dirección correcta. Preste atención a la etiqueta "This side up" (Este lado hacia arriba) en las aspas del ventilador.
- Las aspas no se pueden invertir.
- Insertar los tornillos a través del asa y fijarlos al motor.
- Repita este proceso de fijación para todas las demás aspas.
- Conecte con cuidado la cubierta inferior y gírela en sentido antihorario.




Emparejamiento del control remoto

ENGLISH

¡Atención! Al instalar un ventilador de techo, es necesario emparejar el mando a distancia.

Este proceso conecta el mando a distancia al ventilador con una frecuencia única. De esta manera se evitan interrupciones de frecuencia e interferencias entre los ventiladores.

DEUTSCH

- Para desconectar el suministro eléctrico al ventilador, desconecte el suministro eléctrico.
- Volver a conectar el suministro eléctrico al ventilador. Asegúrese de que todos los demás ventiladores estén desconectados del suministro de electricidad.
- En los 60 segundos siguientes al encendido del ventilador, mantenga pulsado el botón de encendido en el mando a distancia  durante 8 segundos hasta que la luz parpadee dos veces (No hay indicación si no hay luminaria).
- El mando a distancia ahora está emparejado con el ventilador y se recibirán todas las acciones del mando a distancia.

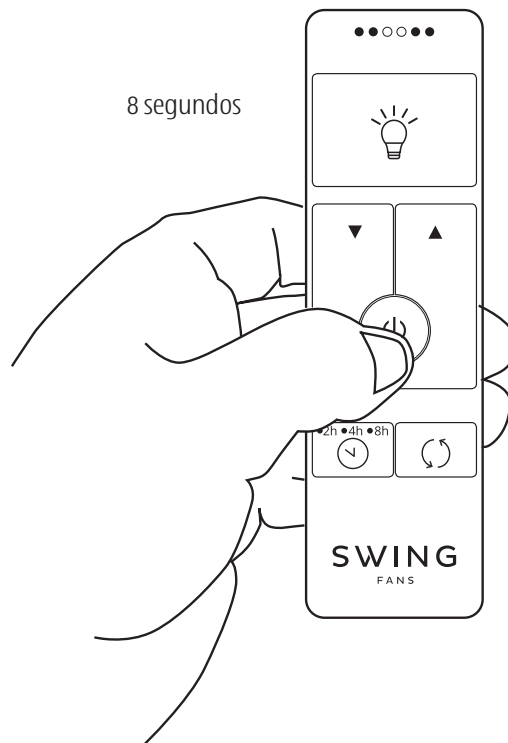
ESPAÑOL

ITALIANO

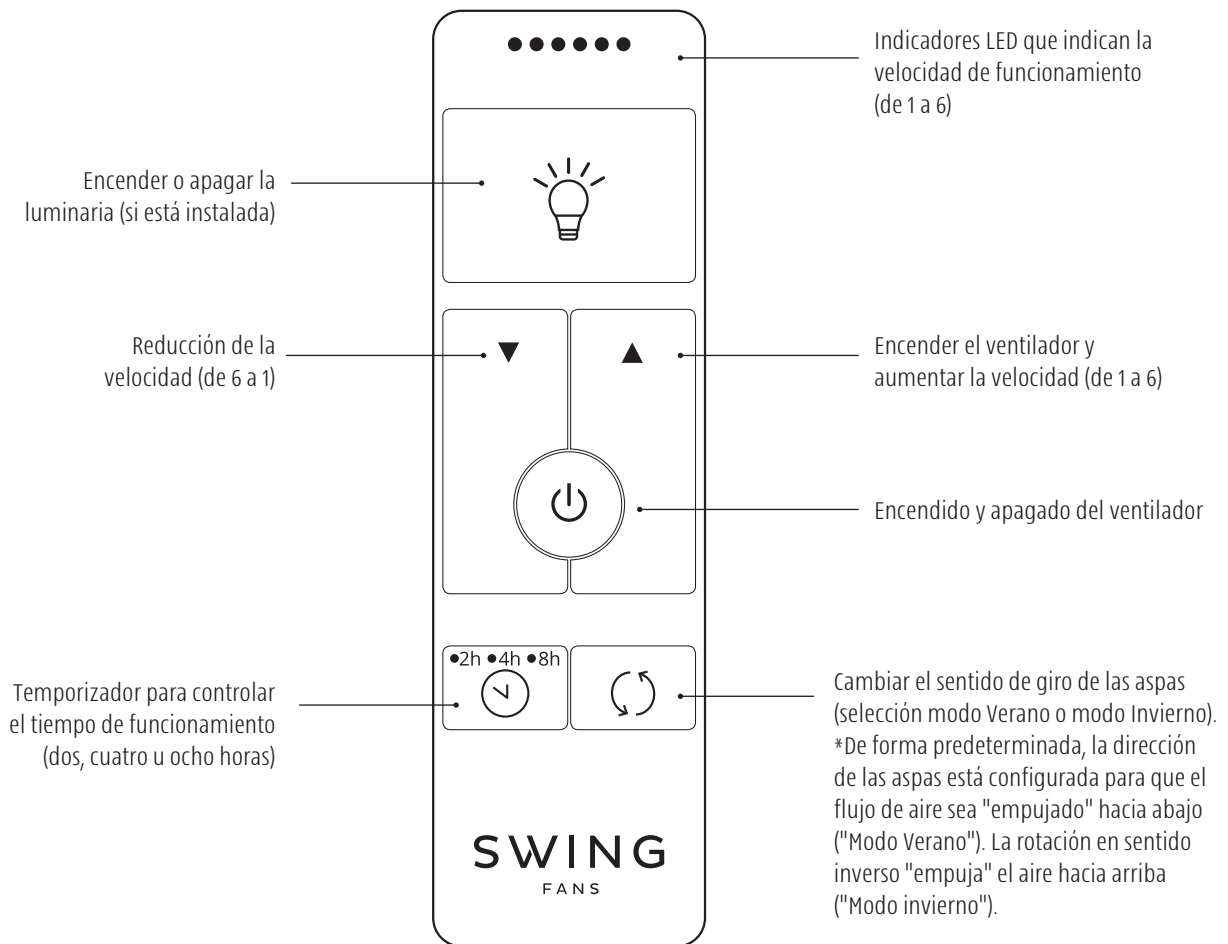
FRANÇAIS

عربي

עברית



Funciones y funcionamiento del mando a distancia



¡Atención!

- El mando a distancia funciona de forma inalámbrica y debe estar dentro de un alcance de hasta 8 metros del ventilador.
- Cuando cambie de función, espere pacientemente unos segundos a que el ventilador reciba la transmisión y realice la operación, especialmente tras cambiar el sentido de giro de las aspas.
- El mando a distancia viene con un soporte de pared exclusivo que se puede instalar con dos tornillos.
- Las luces indicadoras no se encienden permanentemente, sino que se encienden durante un segundo y luego se apagan.

ENGLISH

DEUTSCH

ESPAÑOL

ITALIANO

FRANÇAIS

عربية

עברית

Instrucciones generales de funcionamiento, solución de problemas

ENGLISH

Activación del ventilador por primera vez

- Asegúrese de que todos los tornillos están apretados y de que las conexiones eléctricas son seguras.
- Asegúrese de que las aspas del ventilador puedan girar sin obstrucciones.
- Asegúrese de que la alimentación esté encendida y que el ventilador esté conectado a una fuente de tensión eléctrica.
- Tras haber comprobado que el ventilador recibe tensión eléctrica, enciéndalo a alta velocidad durante aproximadamente 5 minutos.

¡Atención! El ventilador puede tardar hasta 30 segundos en alcanzar la velocidad deseada.

DEUTSCH

ESPAÑOL

Solución de problemas

¡Importante! Antes de iniciar cualquier actividad de resolución de problemas o reparación, asegúrese de que el suministro eléctrico esté desconectado.

¿El ventilador tiene problemas para arrancar o no arranca de ningún modo?

- Verifique todas las conexiones eléctricas, incluido el interruptor de pared y el disyuntor en la caja de fusibles.
- Verifique que no haya objetos ni tornillos que impidan el movimiento de las aspas.
- Asegúrese de que la pila del mando a distancia es nueva y está bien colocada.
- Asegúrese de haber presionado el botón del interruptor del ventilador en el mando a distancia.
- Encienda el ventilador a la máxima velocidad.
- Compruebe que el mando a distancia y el ventilador estén emparejados y, si es necesario, vuelva a emparejarlos (página 12).

¿Flujo de aire deficiente?

- El ventilador puede girar en sentido inverso (modo invierno): compruebe la selección del modo verano/invierno y asegúrese de que el modo está ajustado adecuadamente para la estación.
- Compruebe que las aspas están instaladas en la dirección correcta y que la etiqueta "This side up" (Este lado hacia arriba) está orientada hacia el techo.
- Asegúrese de que el ventilador sea apropiado para el tamaño de la habitación.
- Compruebe si el espacio entre el techo y las aspas es inferior a 20 cm. En este caso el flujo de aire se reducirá significativamente.

¿El ventilador hace ruido?

- Si se trata de un ruido "mecánico", asegúrese de que las aspas estén apretadas, que todos los tornillos estén bien apretados, que la luminaria esté instalada correctamente y que todo el cableado esté bien conectado.
- Si se trata de un ruido "eléctrico" que se oye principalmente por la tarde o temprano en la mañana, podría deberse a impulsos eléctricos que se envían a través de las líneas eléctricas.

¡Atención! Algunos ruidos no se pueden evitar y la garantía no los cubre.

ITALIANO

FRANÇAIS

عربي

עברית

¿El ventilador se tambalea o vibra?

- Cuando los ventiladores de techo giran, tienden a vibrar ligeramente, sobre todo a altas velocidades. Por eso están equipados con una rótula flexible que facilita el libre movimiento. Los ventiladores instalados con una varilla de bajada larga tienden a tambalearse más que los ventiladores instalados con una varilla de bajada estándar.
- Si el ventilador se tambalea o vibra excesivamente, podría deberse a que las aspas están flojas o desequilibradas. En este caso, asegúrese de que todas las aspas estén bien sujetas al ventilador, que no falte ningún tornillo y que todos los tornillos estén apretados. Asegúrese de que el soporte de suspensión esté correctamente instalado en el techo.
- Si es necesario, las aspas pueden equilibrarse con el kit de equilibrado de aspas que se incluye con el ventilador.
- Si el ventilador de techo se tambalea en exceso, deje de utilizarlo de inmediato y póngase en contacto con el servicio de atención al cliente.
- Todos los juegos de aspas están agrupados por peso como un conjunto. Al mezclar las aspas de otro ventilador, el ventilador podría tambalearse y vibrar.

¡Atención! Para evitar daños a largo plazo, es importante equilibrar el ventilador lo antes posible. La garantía no cubre el equilibrado del ventilador.

Mantenimiento

- Para mantener el aspecto del ventilador de techo y su integridad, asegúrese de limpiarlo y quitarle el polvo periódicamente con detergentes no abrasivos. La acumulación de polvo y suciedad no es estética y reduce el rendimiento de los ventiladores.
- Debido al movimiento natural del ventilador, algunas conexiones podrían aflojarse con el tiempo. Compruebe las conexiones de los ventiladores, las aspas y, si es necesario, apriete los tornillos. (No es necesario desmontar el ventilador del techo para hacerlo)

Condiciones de garantía

ENGLISH

Todos los productos SWING son ventiladores de alta calidad. La garantía cubre el motor, el cuerpo del ventilador, las aspas y las luminarias que forman parte de los ventiladores que SWING comercializa.

La instalación se debe efectuar conforme a este manual y debe cumplir con el código eléctrico local.

DEUTSCH

Productos

- Esta garantía se aplica a todos los productos fabricados por la marca SWING. Ventiladores de techo, ventiladores de techo para exteriores, ventiladores industriales y luminarias adecuadas para los ventiladores de techo. La garantía no cubre bombillas ni consumibles.
- La garantía no cubre daños causados como resultado de una instalación inadecuada o un uso irrazonable.

ESPAÑOL

Periodo de garantía

El periodo de garantía de los productos SWING es de un año. Más allá del período de garantía de un año, rige lo siguiente:

- La garantía del motor del ventilador es de 3 años.

ITALIANO

Condiciones de garantía

La garantía que se ofrece para los productos SWING es válida en las siguientes condiciones:

- Los productos deben utilizarse de acuerdo con las especificaciones de aplicación del producto.
- La garantía cubre únicamente fallas del producto debidas a defectos en materiales, mano de obra o fabricación.
- Solo técnicos autorizados de SWING están habilitados para efectuar el mantenimiento de los productos SWING. Cualquier servicio o reparación llevado a cabo por un técnico no autorizado por SWING anulará la garantía.

FRANÇAIS

عربيہ

עברית

Reparación del producto bajo garantía

- En caso de un mal funcionamiento del producto, SWING, a su exclusivo criterio, puede decidir si reparar componentes o productos, proporcionar productos similares como reemplazo o reembolsar a los clientes originales.
- SWING, a su exclusivo criterio, decidirá si el producto se probará en el domicilio del cliente o en un laboratorio de SWING.
- La reparación bajo garantía no cubre ningún daño como resultado de caídas de voltaje, rayos, fluctuaciones en el voltaje de la red o conexión a un suministro eléctrico alternativo (como sistemas solares).
- La garantía no cubre los daños causados por un manejo agresivo durante la instalación.
- Si al abrir el paquete se encuentra un defecto en el ventilador, no lo instale, notifíquelo inmediatamente a la empresa y devuélvalo al lugar donde lo compró.
- El cliente o los usuarios finales correrán con todos los gastos derivados del desmontaje y la reinstalación de los ventiladores de techo, así como con los gastos de envío para traer y devolver los productos. Todos los gastos de envío correrán a cargo del cliente.
- Esta garantía no cubre otros costes, tales como costes de reemplazo de componentes durante la instalación, reparaciones causadas por fallas de instalación, otros tipos de daños o daños consecuentes.
- En caso de reparación en el domicilio del cliente, el coste de entrega, instalación y operación de cualquier equipo especial —como andamios, montacargas— destinado a permitir el acceso a los ventiladores de techo, correrá a cargo del cliente o del propietario del lugar.
- En cualquier caso, la empresa no se hace responsable y no se hará cargo de los gastos de desmontaje, montaje, transporte o cualquier otro coste con el fin de llevar el ventilador al centro de servicio y devolverlo al cliente.

Envío de una solicitud de reparación de producto bajo garantía

- Se debe efectuar una solicitud de reparación en garantía. Para ello, abrir un ticket de servicio a través del sitio web y, si es necesario, presentar la factura de compra original y devolver el producto defectuoso. De este modo, los representantes de SWING podrán comprobar la validez de la garantía del producto y el alcance de la solicitud.

Para mantener la información en las bases de datos de SWING, es recomendable cumplimentar el formulario de garantía adjunto y enviárnoslo inmediatamente después de comprar el ventilador. Asimismo, para facilitar el proceso de identificación y servicio en caso de mal funcionamiento, se recomienda adjuntar a este formulario la factura de compra original.

ENGLISH

DEUTSCH

ESPAÑOL

ITALIANO

FRANÇAIS

عربية

עברית

Formulario de garantía

ENGLISH

El formulario de garantía será aceptado con:

1. Este formulario cumplimentado con todos los detalles.
2. Factura de compra.
3. Datos del instalador.

DEUTSCH

Datos del cliente

Nombre del cliente:

Dirección:

Teléfono:

Teléfono móvil:

Correo electrónico:

ESPAÑOL

Información de la compra

El nombre de la tienda en la que se realizó la compra:

Fecha de compra:

Nombre del producto:

ITALIANO

FRANÇAIS

Datos del instalador (si procede)

Nombre y dirección de la empresa del instalador:

Fecha de instalación:

Nombre del instalador:

Teléfono:

عربي

עברית

Se recomienda enviar copia de este formulario con factura de compra original inmediatamente después de la instalación, para que la información quede registrada en las bases de datos de la empresa.

El formulario se puede completar en línea en: www.swingfans.com

Cómo contactarnos para utilizar la
garantía:

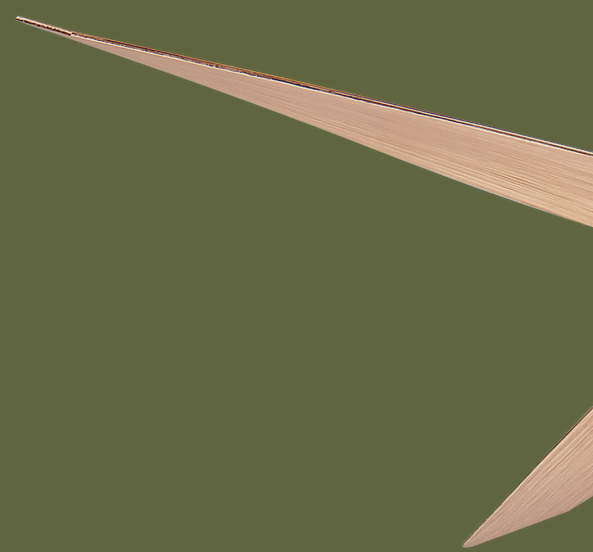
www.swingfans.com

SWING

FANS

Manuale di installazione per ventilatore da soffitto SWING

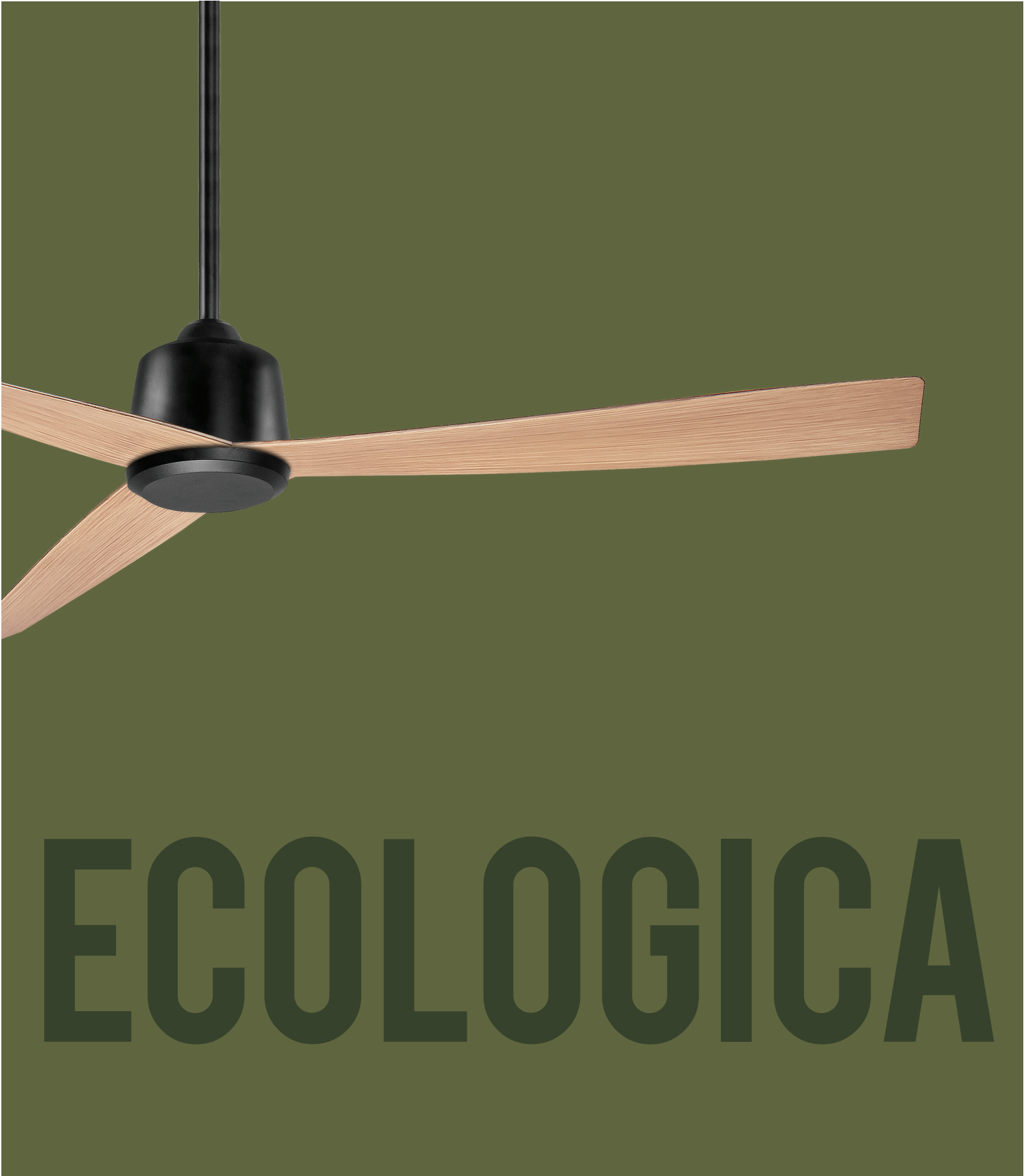
DIAMOND DAMP | ref: 85113



LABREZZA

SWING

FANS



ECOLOGICA

Prima di installare il nuovo ventilatore, leggere attentamente questo manuale e tutte le informazioni sulla sicurezza.

ENGLISH

DEUTSCH

ESPAÑOL

ITALIANO

FRANÇAIS

عربيہ

עברית

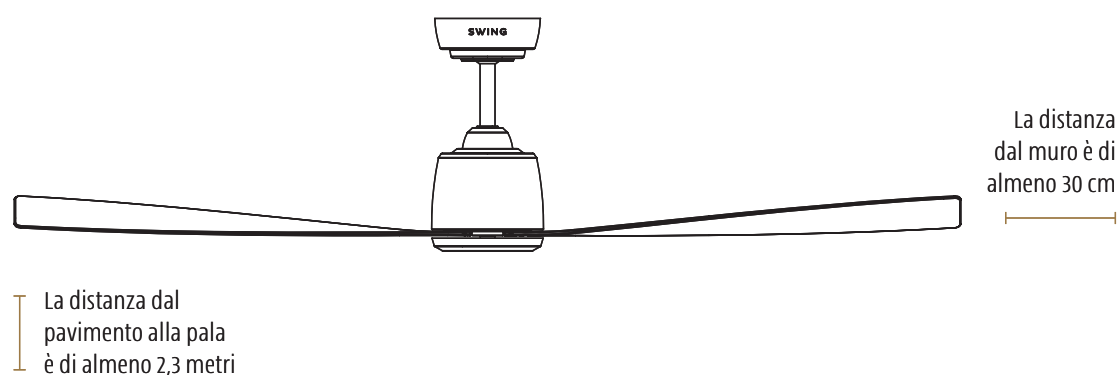
Attenzione! L'installazione del ventilatore da soffitto e dei suoi accessori deve essere eseguita in conformità con le istruzioni di sicurezza, cablaggio e installazione specificate in questo manuale. Un'installazione non conforme alle istruzioni può danneggiare il ventilatore e costituire una violazione delle condizioni di garanzia specificate nella Garanzia*

* L'appendice sulla garanzia è disponibile alla fine di questo manuale

Istruzioni generali di sicurezza

- Spegnerne il ventilatore e attendere che le pale si fermino completamente prima di eseguire qualsiasi operazione di manutenzione o pulizia.
- Questo ventilatore è destinato all'uso al chiuso e all'aperto.
- Questo ventilatore ha un motore di tipo CC.
- I ventilatori SWING devono essere installati e azionati solo utilizzando gli accessori, il telecomando, le aste e le pale SWING.
- Questo ventilatore da soffitto deve essere collegato saldamente a una struttura solida. In nessun caso la staffa di sospensione deve essere installata solo su pannelli in cartongesso!
- Utilizzare tutte le viti fornite con il ventilatore! Il mancato utilizzo di tutte le viti rappresenta un pericolo per la sicurezza e può provocare lesioni gravi.
- Assicurarsi che gli accessori utilizzati per installare la staffa di sospensione sul soffitto siano adatti a sostenere un peso in movimento di almeno 30 kg
- Le pale devono essere montate sul motore del ventilatore solo dopo aver appeso correttamente il motore al soffitto. Montare le pale mentre il motore è sul pavimento o su qualsiasi altra superficie potrebbe danneggiarle o provocarne la piegatura.
- Prima di iniziare qualsiasi tipo di intervento all'impianto elettrico, interrompere l'alimentazione tramite l'interruttore automatico nella scatola dei fusibili.
- Questo ventilatore da soffitto va collegato a terra.
- Non scollegare le spine dal cablaggio e non modificarlo in alcun modo.
- Assicurarsi che la distanza minima tra le pale e il pavimento sia di 2,3 metri e che quella tra la punta delle pale e il muro sia di 30 cm.
- Assicurarsi che le pale del ventilatore possano ruotare liberamente senza ostacoli (finestre, porte, armadi, ecc.)
- Dopo aver installato il ventilatore, assicurarsi che tutti i componenti di montaggio siano fissati per evitare che il ventilatore cada a terra.
- Non inserire nulla nelle pale del ventilatore mentre esso è in funzione

Durante l'installazione del ventilatore, assicurarsi che venga mantenuta una distanza minima dalle pareti e dal pavimento e che le pale possano ruotare liberamente senza ostacoli quando il ventilatore è acceso.



ENGLISH

DEUTSCH

ESPAÑOL

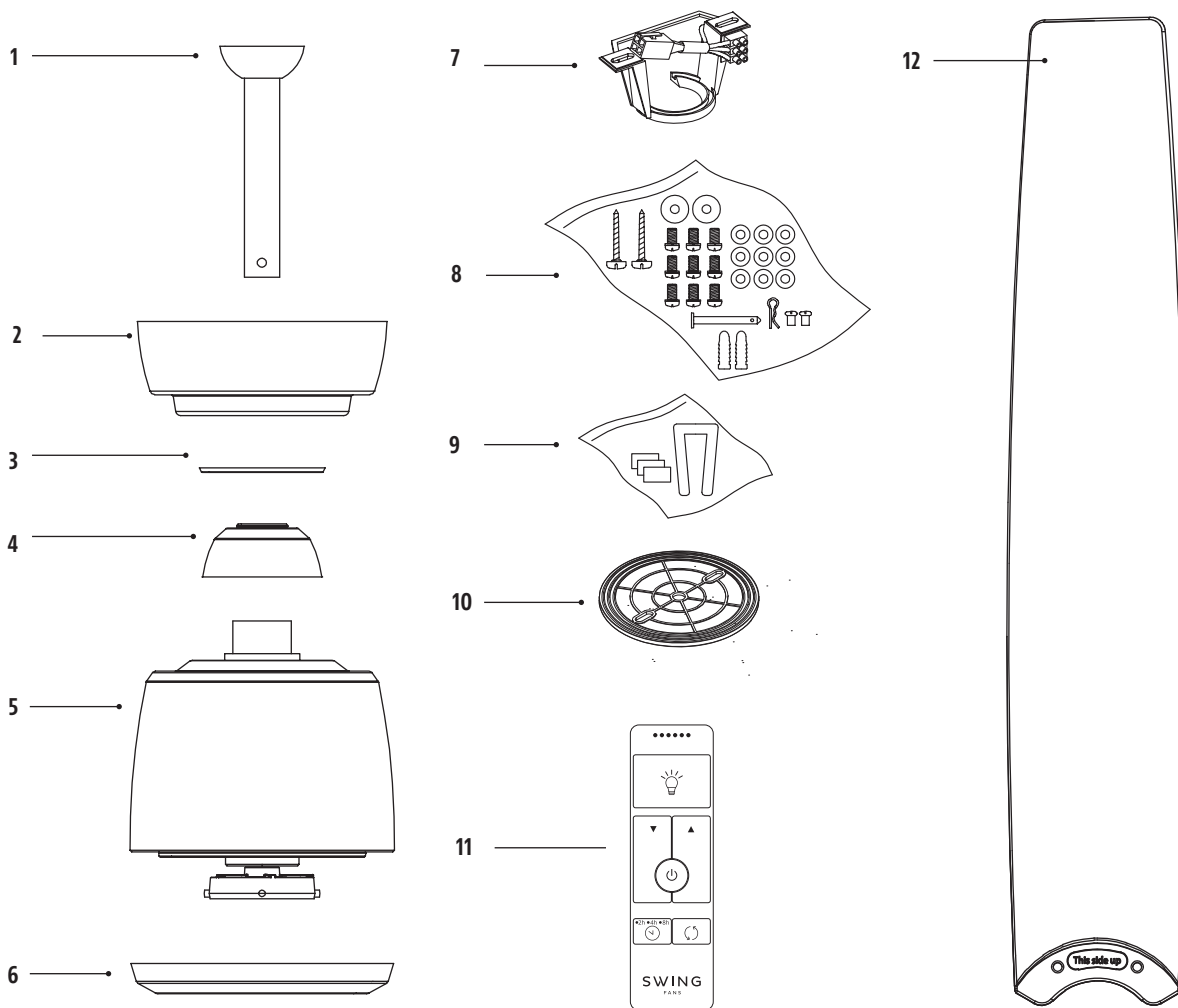
ITALIANO

FRANÇAIS

عربية

தமிழ்

Le parti del ventilatore



- 1** | Asta inferiore e giunto sferico
2 | Copertura a soffitto
3 | Copertura decorativa
4 | Copertura adattatore motore

- 5** | Motore del ventilatore
6 | Copertura inferiore
7 | Staffa di sospensione
8 | Kit di viti

- 9** | Kit di bilanciamento
10 | Copertura
11 | Telecomando
12 | Pale del ventilatore

ENGLISH

DEUTSCH

ESPAÑOL

ITALIANO

FRANÇAIS

عربي

עברית

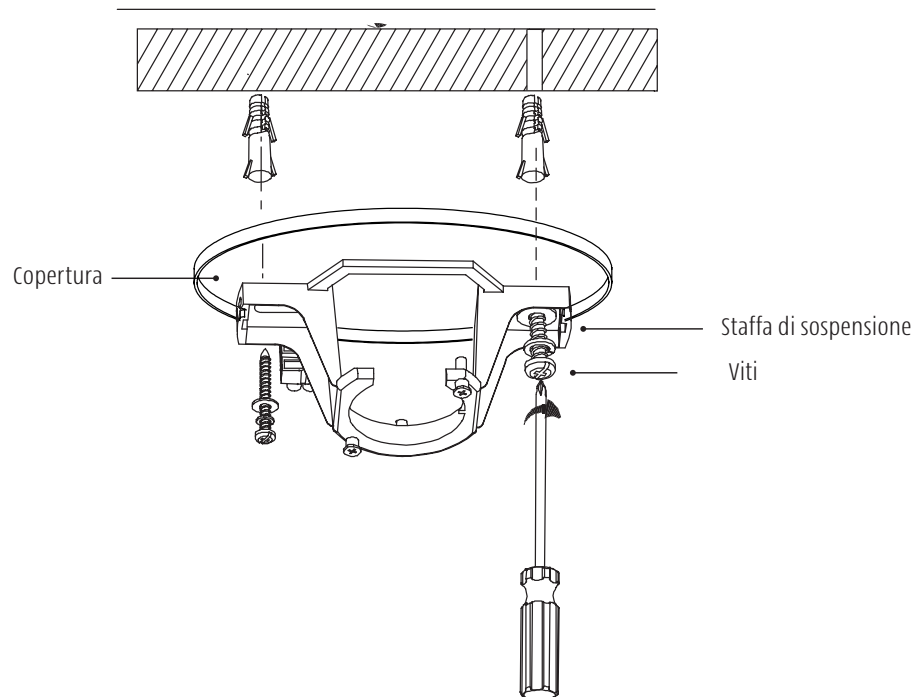
Istruzioni per l'installazione

1. Apertura dell'imballaggio e preparativi prima dell'installazione

- Rimuovere con attenzione dall'imballaggio il ventilatore da soffitto e posizionare il motore e le pale del ventilatore su un panno o una superficie morbida. Il posizionamento del motore o delle pale su una superficie dura potrebbe danneggiare la finitura.
- Questo ventilatore da soffitto è dotato di un set di pale abbinato. Non mescolare o scambiare pale di prodotti diversi. L'uso di pale diverse da quelle in dotazione può causare malfunzionamenti e rendere nulla la garanzia.
- Prima di iniziare l'installazione, verificare che tutte le parti siano presenti e disponibili all'uso, compresi eventuali accessori che potrebbero essere necessari per l'installazione. Utilizzare solo accessori originali per ventilatori Swing.

2. Installazione della staffa di sospensione

- Fissare la staffa di sospensione su una superficie piana utilizzando dispositivi di fissaggio adeguati, da fissare a un travetto di legno o cemento (le viti in dotazione sono destinate al cemento standard. Per altri tipi di strutture è necessario utilizzare elementi di fissaggio adeguati).
- **È necessario utilizzare tutte le viti in dotazione e in nessun caso la staffa di sospensione deve essere installata su cartongesso soltanto.**

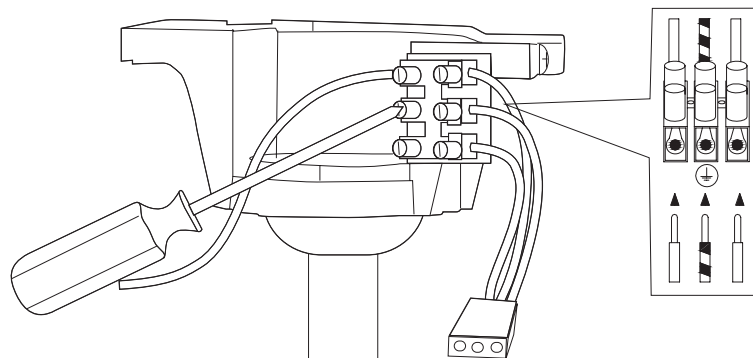


Istruzioni per l'installazione

ENGLISH

3. Collegamento alla rete elettrica

Collegare l'alimentazione di rete da 220-240 V alla morsettiera secondo le indicazioni.



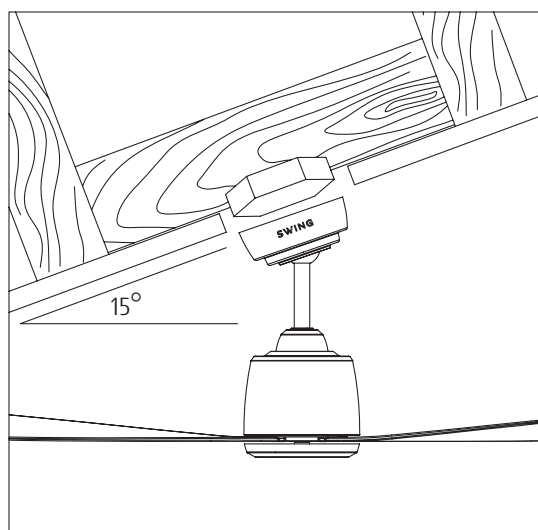
DEUTSCH

ESPAÑOL

ITALIANO

4. Installazione del ventilatore da soffitto ad angolo

Questo ventilatore può essere installato con una pendenza del soffitto fino a 15 gradi.



FRANÇAIS

عربي

עברית

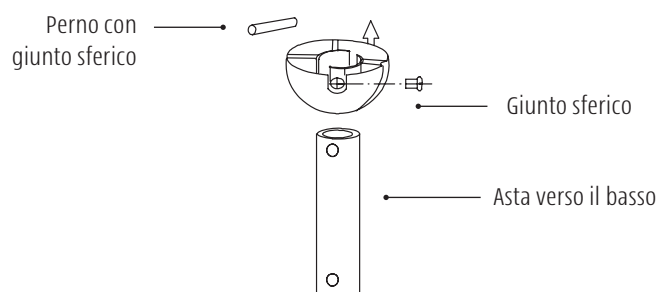
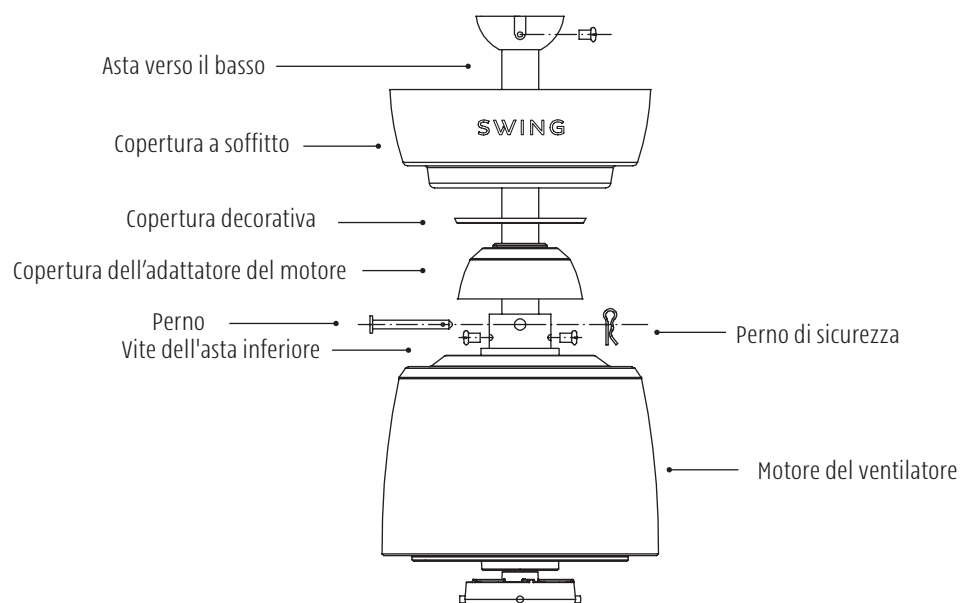
5. Assemblaggio dell'asta inferiore e della copertura a soffitto

- Allentare la vite del giunto sferico e rimuovere il relativo perno, in modo da consentire lo smontaggio del giunto sferico dall'asta inferiore.
- Far passare il cablaggio attraverso la copertura dell'adattatore del motore, la copertura decorativa, la copertura del soffitto e l'asta inferiore.
- Posizionare l'asta inferiore sulla parte superiore dell'alloggiamento del motore del ventilatore e allineare i fori.
- Inserire il perno attraverso l'asta di prolunga (assicurarsi che i fili non siano danneggiati) e inserire il perno di sicurezza.

Attenzione! Eseguire il montaggio dell'asta inferiore e della copertura superiore servendosi di utensili manuali, non elettrici.

Attenzione! È obbligatorio serrare le 2 viti dell'asta inferiore all'alloggiamento del motore del ventilatore.

- Far scorrere la copertura dell'adattatore del motore sull'alloggiamento del motore del ventilatore.
- Rimontare il giunto sferico e verificare la corretta installazione del perno e della vite del giunto sferico.



Istruzioni per l'installazione

ENGLISH

6. Appendere il ventilatore

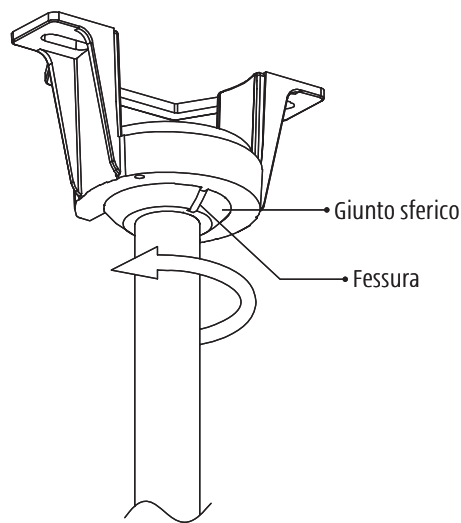
- Sollevare con attenzione il motore del ventilatore.
- Posizionare il giunto sferico nella staffa di sospensione, in modo che la scanalatura si trovi nella fessura. L'asta inferiore non dovrebbe ruotare, se l'operazione viene eseguita correttamente.

Attenzione! Per garantire il buon funzionamento del ventilatore è importante fissare saldamente tutte le viti previste per appenderlo.

DEUTSCH

ESPAÑOL

ITALIANO



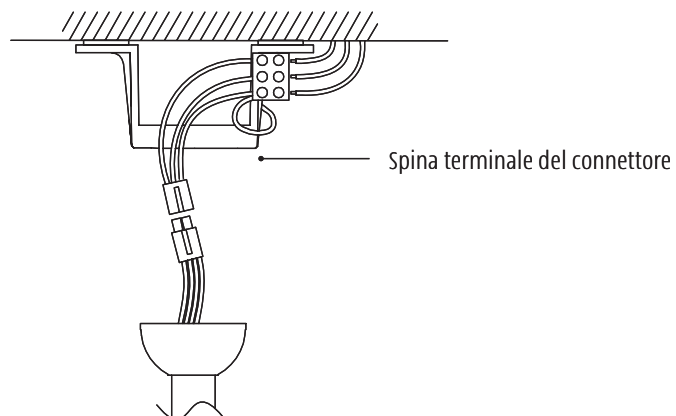
FRANÇAIS

عربي

עברית

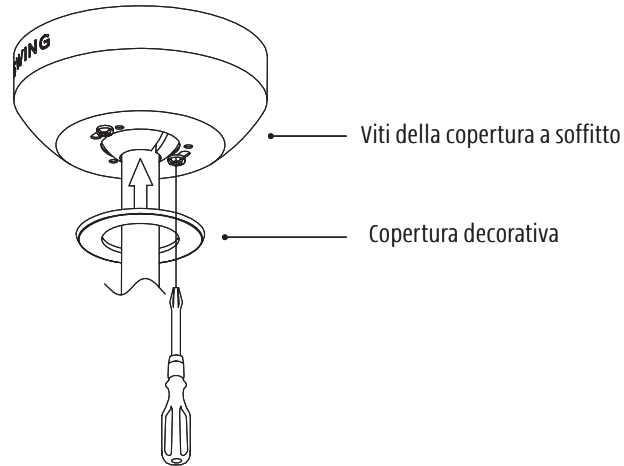
7. Collegamento del ventilatore da soffitto alla rete elettrica

Dopo aver appeso correttamente il ventilatore da soffitto, collegare il connettore terminale (maschio-femmina).



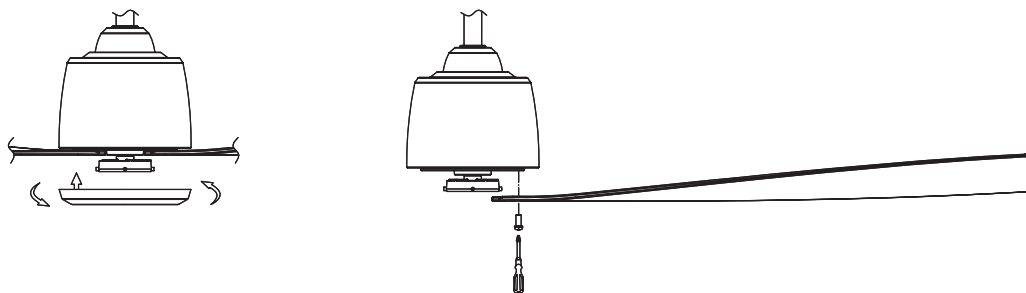
8. Collegamento della copertura a soffitto

- Sollevare la copertura a soffitto sopra la staffa di sospensione.
- Ruotare la copertura a soffitto e serrare le viti.
- Coprire le viti con la copertura decorativa.



9. Montaggio delle pale e collegamento della copertura inferiore

- Verificare che le pale siano installate nella direzione corretta. Notare l'etichetta "This side up" sulle pale del ventilatore.
- Le pale non sono reversibili.
- Inserire le viti attraverso la pala e fissarle al motore.
- Ripetere questa procedura di fissaggio per tutte le altre pale.
- Collegare delicatamente la copertura inferiore e ruotare in senso antiorario.




Associazione del telecomando

ENGLISH

Attenzione! Quando si installa un ventilatore da soffitto è necessario associare il telecomando.

Questo processo collega il telecomando al ventilatore con una frequenza unica.
Questo consente di prevenire interruzioni di frequenza e interferenze con gli altri ventilatori..

DEUTSCH

- Interrompere l'alimentazione elettrica verso il ventilatore spegnendo l'interruttore a parete.
- Ripristinare l'alimentazione elettrica verso il ventilatore. Assicurarsi che tutti gli altri ventilatori siano scollegati dall'alimentazione elettrica.
- Entro 60 secondi dall'accensione del ventilatore, tenere premuto il pulsante di accensione sul telecomando  per 8 secondi finché la luce non lampeggia due volte (se non è presente un apparecchio di illuminazione, non vi è alcuna indicazione).
- Il telecomando è ora associato al ventilatore, il quale riceverà tutti i comandi provenienti dal telecomando.

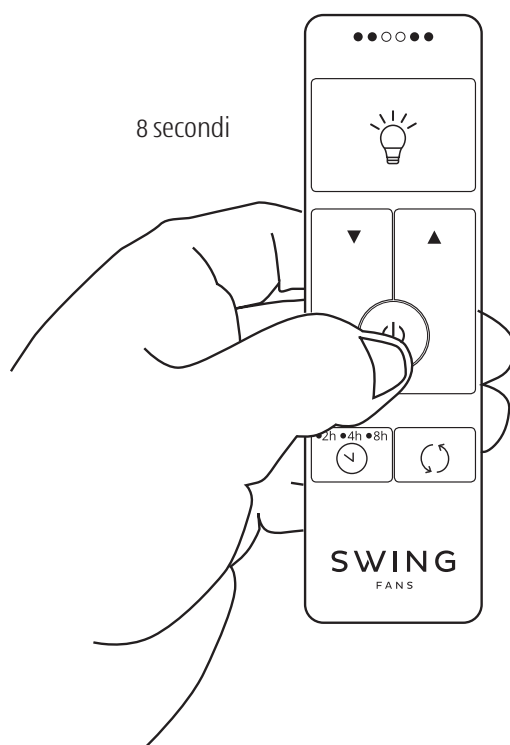
ESPAÑOL

ITALIANO

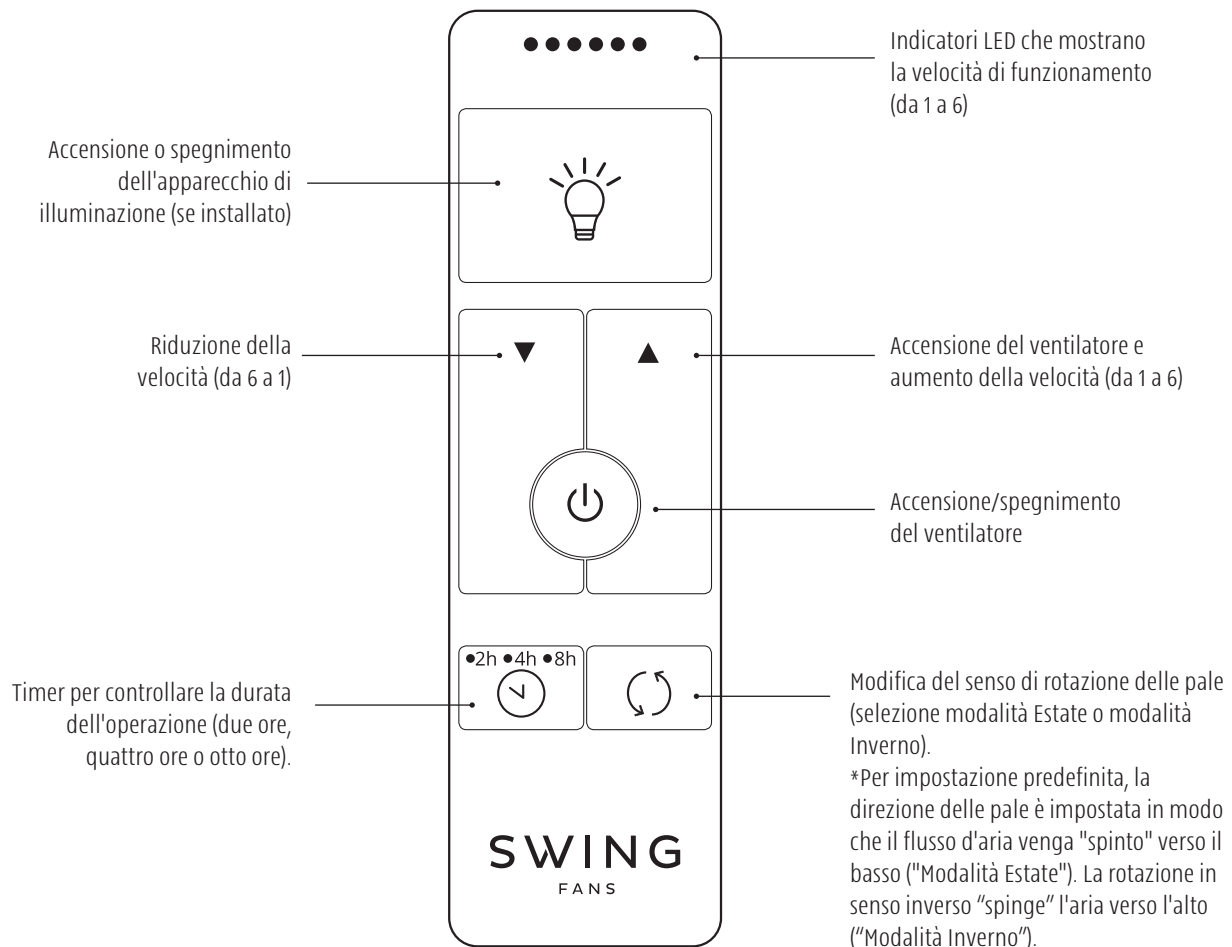
FRANÇAIS

عربي

עברית



Funzioni e funzionamento del telecomando



Attenzione!

- Il telecomando funziona in modalità wireless e deve trovarsi entro un raggio massimo di 8 metri dal ventilatore.
- Quando si cambia funzione, attendere pazientemente qualche secondo affinché il ventilatore riceva la trasmissione ed esegua l'operazione, soprattutto dopo aver cambiato il senso di rotazione delle pale.
- Il telecomando viene fornito con un supporto a parete dedicato installabile utilizzando due viti.
- Le spie non restano accese in modo permanente, ma si accendono per un secondo e poi si spengono.

ENGLISH

DEUTSCH

ESPAÑOL

ITALIANO

FRANÇAIS

عربي

עברית

Istruzioni generali per l'uso, risoluzione dei problemi

ENGLISH

Attivazione del ventilatore per la prima volta

- Assicurarsi che tutte le viti siano serrate e che i collegamenti elettrici siano sicuri.
- Assicurarsi che le pale del ventilatore possano ruotare senza ostacoli.
- Assicurarsi che l'alimentazione sia accesa e che il ventilatore sia collegato a una tensione elettrica.
- Dopo aver verificato che il ventilatore sia alimentato con tensione elettrica, accenderlo ad alta velocità per circa 5 minuti.

Attenzione! Possono essere necessari fino a 30 secondi affinché il ventilatore raggiunga la velocità desiderata.

DEUTSCH

Risoluzione dei problemi

Nota! Prima di iniziare qualsiasi attività di risoluzione dei problemi o di riparazione, assicurarsi che l'alimentazione di rete sia scollegata.

ESPAÑOL

Il ventilatore ha difficoltà ad avviarsi o non si avvia affatto?

- Controllare tutti i collegamenti elettrici, compreso l'interruttore a muro e l'interruttore automatico nella scatola dei fusibili.
- Verificare che non vi sia alcun oggetto/vite che impedisca il movimento delle pale.
- Assicurarsi che la batteria del telecomando sia nuova e inserita correttamente.
- Verificare di aver premuto il pulsante dell'interruttore del ventilatore sul telecomando.
- Accendere il ventilatore alla massima velocità.
- Verificare che il telecomando e il ventilatore siano associati e, se necessario, ri-associare il telecomando al ventilatore (Pagina 12).

ITALIANO

Flusso d'aria scarso?

- Il ventilatore potrebbe ruotare nella direzione opposta (modalità invernale): controllare la selezione della modalità estate/inverno e assicurarsi che la modalità sia impostata correttamente per la stagione.
- Verificare che le pale siano installate nella direzione corretta e che l'etichetta "This side up" sia rivolta verso il soffitto.
- Verificare che il ventilatore sia adeguato alle dimensioni della stanza.
- Controllare se lo spazio tra il soffitto e le pale è inferiore a 20 cm. In questo caso il flusso d'aria sarà notevolmente ridotto.

FRANÇAIS

Il ventilatore è rumoroso?

- Se si tratta di un rumore "meccanico", assicurarsi che le pale siano serrate, tutte le viti siano serrate saldamente, l'apparecchio di illuminazione sia installato correttamente e tutto il cablaggio sia collegato correttamente.
- Se si tratta di un rumore "elettrico" che si sente soprattutto la sera o la mattina presto, esso potrebbe essere causato da impulsi elettrici inviati sulle linee elettriche.

عربي

Attenzione! Alcuni rumori non possono essere evitati e non sono coperti da garanzia.

עברית

Il ventilatore traballa o vibra?

- Quando i ventilatori da soffitto ruotano, tendono a vibrare leggermente, soprattutto alle alte velocità (per questo motivo sono dotati di un giunto sferico flessibile che ne consente la libera circolazione). I ventilatori installati con un'asta ribassata lunga tendono a oscillare più dei ventilatori installati con un'asta ribassata standard.
- Se il ventilatore traballa o vibra eccessivamente, potrebbe essere dovuto al fatto che le pale sono allentate o sbilanciate. In questo caso, assicurarsi che tutte le pale siano fissate saldamente al ventilatore, che non manchino viti e che tutte le viti siano serrate. Assicurarsi che la staffa di sospensione sia installata correttamente sul soffitto.
- Se necessario, le pale possono essere bilanciate utilizzando il kit di bilanciamento pale, fornito in dotazione al ventilatore.
- Se il ventilatore da soffitto oscilla in modo eccessivo, interrompere immediatamente l'utilizzo del ventilatore e contattare il servizio clienti.
- Tutti i set di pale sono raggruppati in base al peso come set. L'utilizzo delle pale di un altro ventilatore può far oscillare e vibrare il ventilatore.

Attenzione! Per evitare danni a lungo termine, è importante bilanciare il ventilatore il prima possibile. Il bilanciamento del ventilatore non è coperto da garanzia.

Manutenzione

- Per preservare l'aspetto del ventilatore da soffitto e la sua integrità, assicurarsi di pulire e rimuovere periodicamente la polvere (utilizzando detergenti non abrasivi). L'accumulo di polvere e sporco, non è estetico e riduce le prestazioni dei ventilatori.
- A causa del movimento naturale dei ventilatori, alcuni collegamenti potrebbero allentarsi nel tempo. Controllare i collegamenti del ventilatore e delle pale e serrare le viti, se necessario. (Per eseguire l'operazione, non è necessario rimuovere il ventilatore dal soffitto).

Condizioni di garanzia

ENGLISH

Tutti i prodotti SWING sono ventilatori di alta qualità. La garanzia si applica al motore, al corpo del ventilatore, alle pale e agli apparecchi di illuminazione che fanno parte dei ventilatori venduti da SWING.

L'installazione deve essere eseguita attenendosi alle istruzioni fornite in questo manuale e deve essere conforme alle normative elettriche locali.

DEUTSCH

Produkte

- Questa garanzia si applica a tutti i prodotti fabbricati dal marchio SWING. Ventilatori da soffitto, ventilatori da soffitto per ambienti esterni, ventilatori industriali e apparecchi di illuminazione adatti ai ventilatori da soffitto. La garanzia non copre lampadine e materiali di consumo.
- I danni causati da un'installazione impropria o da un uso irragionevole non sono coperti dalla garanzia.

ESPAÑOL

Periodo di garanzia

- Il periodo di garanzia per i prodotti SWING è di un anno. Trascorso il periodo di garanzia di un anno, si applica quanto segue:
- La garanzia del motore del ventilatore è di 3 anni.

ITALIANO

Condizioni di garanzia

- La garanzia offerta per i prodotti SWING è valida alle seguenti condizioni:
- I prodotti devono essere utilizzati in conformità con le specifiche di applicazione del prodotto.
 - La garanzia copre solo i guasti del prodotto causati da difetti nei materiali, nella lavorazione e/o nella produzione.
 - Solo i tecnici SWING autorizzati sono autorizzati a prestare assistenza sui prodotti SWING. Qualsiasi servizio e/o riparazione eseguita da un tecnico non autorizzato da SWING renderà nulla la garanzia.

FRANÇAIS

عربي

עברית

Riparazione del prodotto in garanzia

- In caso di malfunzionamento del prodotto, SWING, a sua esclusiva discrezione, può decidere se riparare componenti o prodotti, fornire prodotti simili in sostituzione o rimborsare i clienti originali.
- SWING, a suo insindacabile giudizio, sceglierà se testare il prodotto presso il domicilio del cliente, oppure presso un laboratorio SWING.
- La riparazione in garanzia non copre eventuali danni derivanti da cadute di tensione, fulmini, fluttuazioni della tensione di rete o collegamento a una fonte di energia elettrica alternativa (come i pannelli solari).
- I danni causati da una manipolazione aggressiva durante l'installazione non sono coperti dalla garanzia.
- Se all'apertura della confezione si riscontra un difetto nel ventilatore, non installarlo, ma avvisare immediatamente l'azienda e restituirlo al punto vendita in cui è stato acquistato.
- Il cliente o l'utente finale sosterrà tutti i costi derivanti dalla rimozione e reinstallazione dei ventilatori da soffitto, nonché le spese di spedizione per trasportare e restituire i prodotti. Tutte le spese di spedizione saranno prepagate dal cliente.
- Altri costi quali ad esempio costi di sostituzione dei componenti durante l'installazione, riparazioni causate da errori di installazione, altri tipi di danni e/o danni consequenziali – non sono coperti dalla presente garanzia.
- Se è necessaria una riparazione presso l'abitazione del cliente, il costo di consegna, installazione e funzionamento di qualsiasi attrezzatura speciale (come impalcature, carrelli elevatori), destinati a consentire l'accesso ai ventilatori a soffitto, verrà applicato al cliente/ proprietario del luogo .
- In ogni caso l'azienda non è responsabile e non sosterrà i costi di smontaggio, montaggio, trasporto o qualsiasi altro costo finalizzato a portare il ventilatore al centro assistenza e restituirlo al cliente.

Invio di una richiesta di riparazione del prodotto in garanzia

- La richiesta di riparazione in garanzia deve essere effettuata immediatamente aprendo un ticket di assistenza tramite il sito e, se necessario, presentando la fattura di acquisto originale e restituendo il prodotto difettoso. Questo affinché i rappresentanti SWING possano verificare la validità della garanzia del prodotto e l'entità della richiesta.

Per mantenere le informazioni nei database SWING, si consiglia di compilare il modulo di garanzia allegato e di inviarcelo subito dopo l'acquisto del ventilatore. Inoltre, per facilitare il processo di identificazione e assistenza in caso di malfunzionamento, si consiglia di allegare al presente modulo la fattura di acquisto originale.

ENGLISH

DEUTSCH

ESPAÑOL

ITALIANO

FRANÇAIS

عربيه

עברית

Modulo di garanzia

ENGLISH

Il modulo di garanzia sarà accettato con:

1. Questo modulo è compilato con tutti i dettagli.
2. Fattura d'acquisto.
3. Dati dell'installatore.

DEUTSCH

Dati del cliente

Nome del cliente:

Indirizzo:

Telefono:

Cellulare:

E-mail:

ESPAÑOL

Dettagli d'acquisto

Il nome del negozio dove è stato effettuato l'acquisto:

Data di acquisto:

Nome del prodotto:

ITALIANO

Dati dell'installatore (se applicabile)

Ragione sociale e indirizzo dell'installatore:

Data di installazione:

Nome dell'installatore:

Telefono:

FRANÇAIS

عربي

Si consiglia di inviare una copia del presente modulo insieme alla fattura di acquisto originale subito dopo l'installazione, in modo che le informazioni vengano registrate nei database aziendali.

Il modulo può essere compilato online nel sito www.swingfans.com

Come contattarci per usufruire della garanzia:

www.swingfans.com

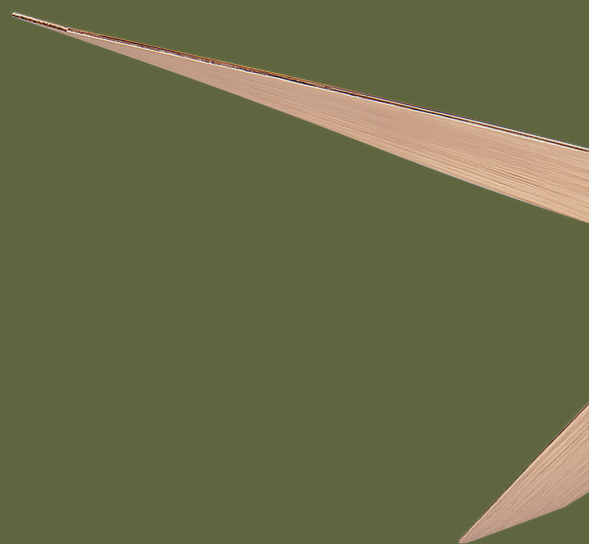
עברית

SWING

FANS

Manuel d'installation pour ventilateur de plafond SWING

DIAMOND DAMP | ref: 85113



LA BRISE

SWING

FANS



ÉCO

Lisez attentivement ce manuel et toutes les informations de sécurité avant d'installer votre nouveau ventilateur.

Attention ! L'installation de ce ventilateur de plafond et de ses accessoires doit être effectuée conformément aux instructions de sécurité, de câblage et d'installation spécifiées dans ce manuel. Une installation non conforme aux instructions peut endommager le ventilateur et constituer une violation des conditions de garantie spécifiées dans la Garantie*.

ENGLISH

DEUTSCH

ESPAÑOL

ITALIANO

FRANÇAIS

عربية

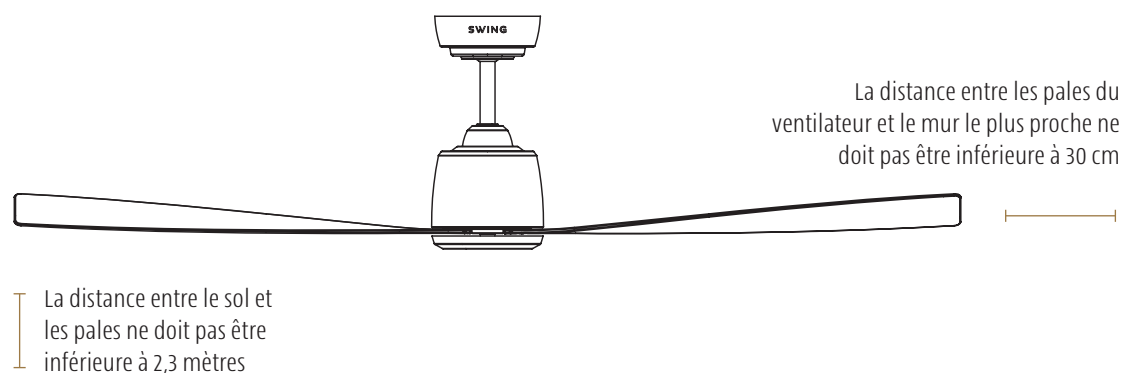
עברית

* L'annexe de garantie se trouve à la fin de ce manuel

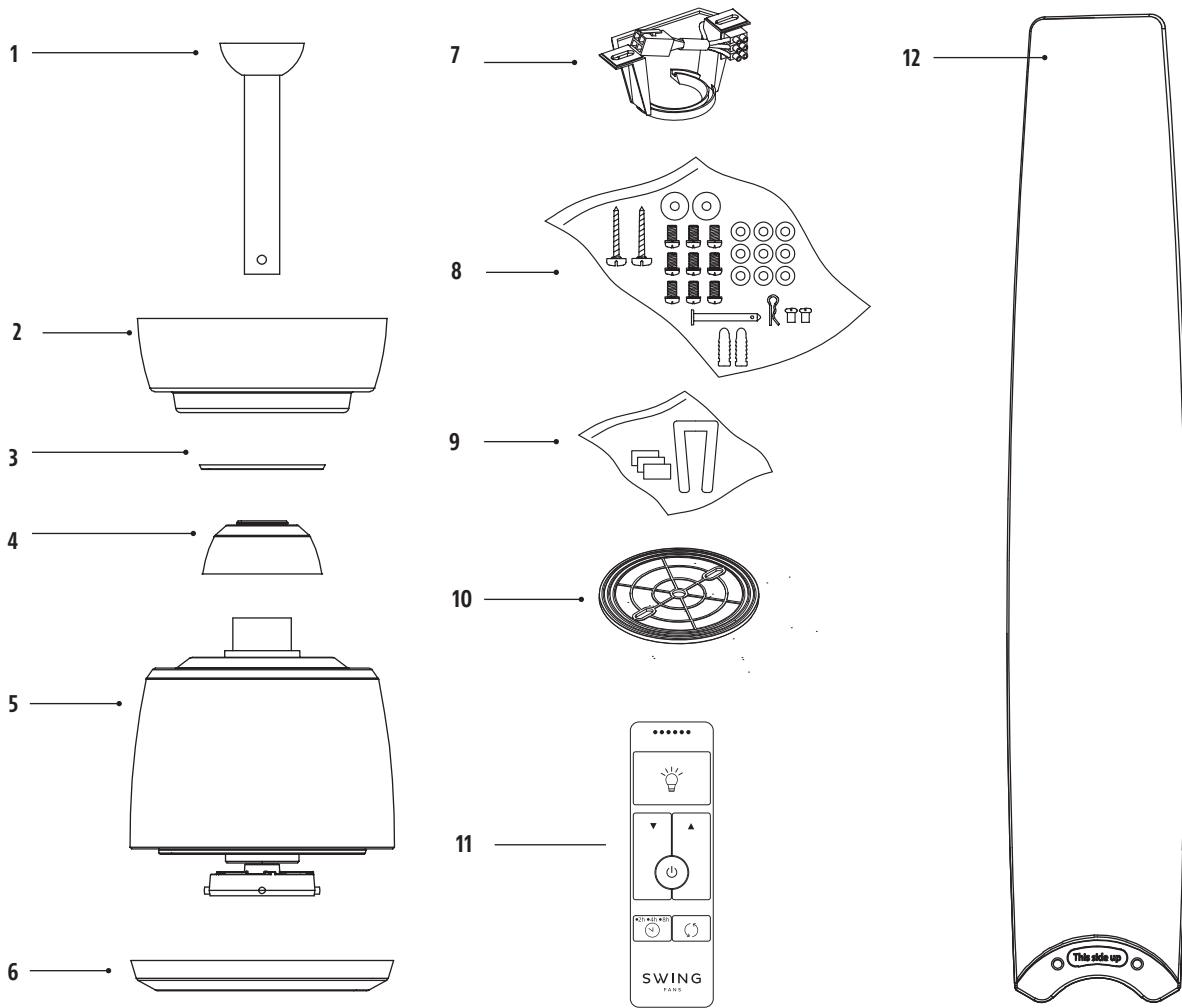
Consignes générales de sécurité

- Éteignez le ventilateur et attendez que les pales se soient complètement arrêtées avant d'effectuer toute opération d'entretien ou de nettoyage.
- Ce ventilateur est destiné à être utilisé à l'intérieur et à l'extérieur.
- Ce ventilateur est équipé d'un moteur à courant continu.
- Les ventilateurs SWING ne doivent être installés et utilisés qu'avec des produits SWING (accessoires, télécommande, tiges de suspension, pales).
- Ce ventilateur de plafond doit être solidement ancré sur une structure solide. Le support de suspension ne doit en aucun cas être installé sur une plaque de plâtre !
- Utilisez toutes les vis fournies avec le ventilateur ! Ne pas utiliser toutes les vis présente un risque pour la sécurité et peut entraîner des blessures graves.
- Vérifiez que les accessoires que vous utilisez pour installer le support de suspension au plafond sont adaptés pour supporter un poids mobile d'au moins 30 kg.
- Les pales doivent être installées sur le moteur du ventilateur uniquement après que le moteur ait été correctement accroché au plafond. Le montage des pales alors que le moteur est posé sur le sol ou sur toute autre surface risque de les endommager ou de les déformer.
- Avant de commencer toute intervention électrique, coupez l'alimentation au niveau du disjoncteur situé dans le boîtier électrique du local.
- Ce ventilateur de plafond doit être relié à la terre.
- Ne débranchez pas les fiches du câblage et ne modifiez en aucun cas le câblage.
- Vérifiez que la distance entre les pales et le sol est d'au moins 2,3 mètres, et que la distance séparant la pointe des pales du mur le plus proche est d'au moins 30 cm.
- Vérifiez que les pales du ventilateur peuvent tourner librement sans aucune obstruction (fenêtres, portes, placards, etc.).
- Après avoir installé le ventilateur, vérifiez que tous les éléments de montage sont bien fixés pour que le ventilateur ne puisse pas se détacher et tomber.
- N'insérez rien entre les pales du ventilateur pendant que le ventilateur fonctionne.

Lors de l'installation du ventilateur, vérifiez que la distance minimale par rapport aux murs et au sol sera maintenue, et que les pales pourront tourner librement sans aucune obstruction durant le fonctionnement du ventilateur.



Les différents éléments du ventilateur



- | | | |
|--|----------------------------------|----------------------------------|
| 1 Tige de descente et rotule | 5 Moteur du ventilateur | 9 Kit d'équilibrage |
| 2 Cache de la fixation | 6 Protection inférieure | 10 Protection |
| 3 Protection décorative | 7 Support de suspension | 11 Télécommande |
| 4 Protection de l'adaptateur moteur | 8 Kit de vis | 12 Pales du ventilateur |

ENGLISH

DEUTSCH

ESPAÑOL

ITALIANO

FRANÇAIS

عربي

עברית

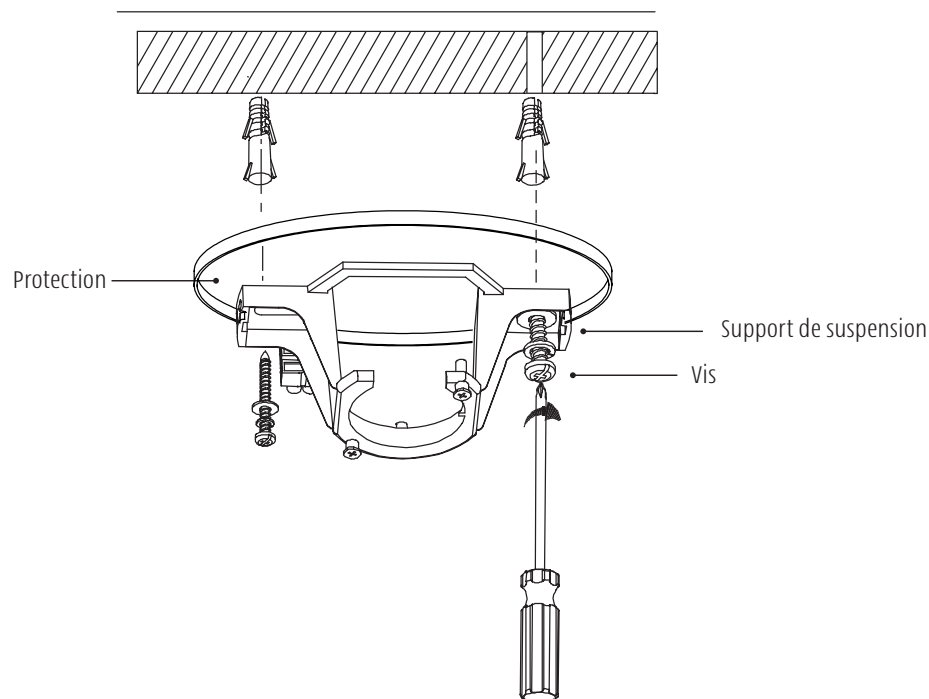
Instructions d'installation

1. Ouverture de l'emballage et préparation avant l'installation

- Retirez délicatement le ventilateur de plafond de son emballage et placez le moteur du ventilateur et les pales sur un chiffon ou une surface douce. Lorsque le moteur ou les pales sont posés sur une surface dure, leur finition peut être endommagée.
- Ce ventilateur de plafond est fourni avec un jeu de pales assorties. Ne mélangez pas les pales provenant de différents produits. L'utilisation de pales différentes de celles fournies peut provoquer un dysfonctionnement et annulera votre garantie.
- Avant de commencer l'installation, vérifiez que tous les éléments sont présents et disponibles pour l'utilisation, y compris tous les accessoires qui pourraient être nécessaires à l'installation. Utilisez uniquement des accessoires originaux pour ventilateur Swing.

2. Installation du support de suspension

- Fixez le support de suspension sur une surface plane à l'aide d'un système de fixation approprié. Ce système doit être fixé sur une solive en bois ou sur du béton (les vis fournies sont destinées à du béton standard. Si vous devez fixer le support sur un autre matériau, utilisez un système de fixation approprié).
- **Toutes les vis fournies doivent être utilisées et le support de suspension ne doit en aucun cas être installé sur une plaque de plâtre.**

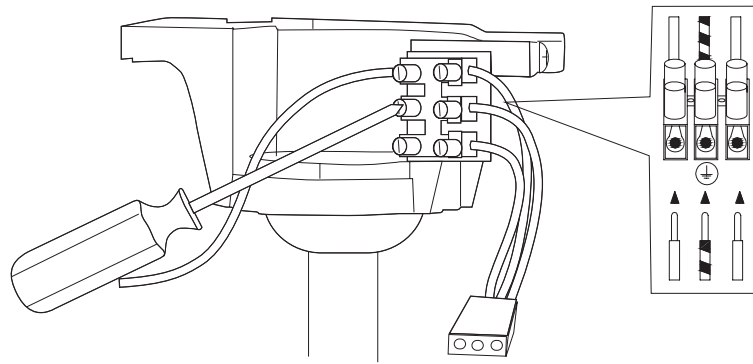


Instructions d'installation

ENGLISH

3. Branchement au secteur

Raccordez l'alimentation secteur 220-240 V au bornier conformément au marquage.



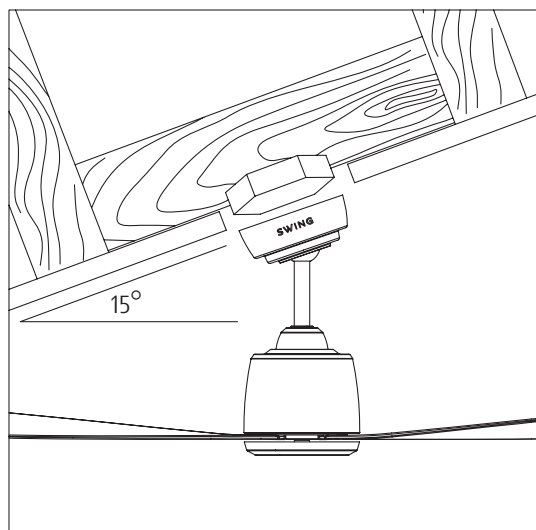
DEUTSCH

ESPAÑOL

ITALIANO

4. Installation du ventilateur de plafond de biais

Ce ventilateur peut être installé avec une inclinaison allant jusqu'à 15 degrés par rapport au plafond.



FRANÇAIS

عربيہ

עברית

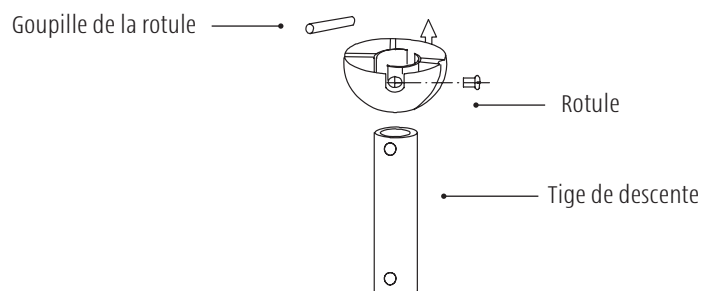
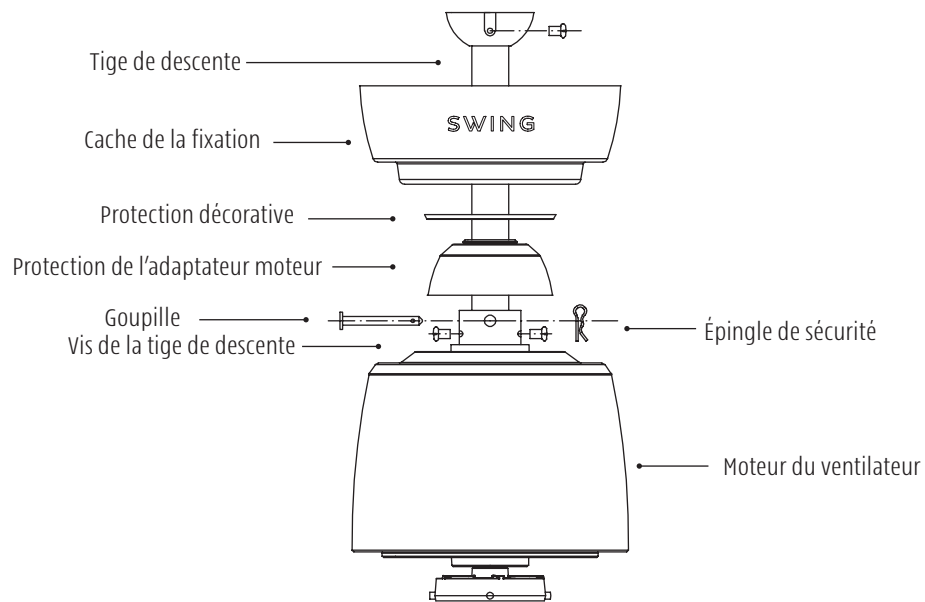
5. Assemblage de la tige de descente et du cache de la fixation

- Desserrez la vis de la rotule et retirez la goupille de la rotule, afin de pouvoir démonter la rotule de la tige de descente.
- Faites passer les câbles électriques à travers la protection de l'adaptateur moteur, la protection décorative, le cache de la fixation et la tige de descente.
- Placez la tige de descente sur le boîtier du moteur du ventilateur, en alignant les trous.
- Insérez la goupille dans la tige d'extension (sans endommager les câbles), puis insérez l'épingle de sécurité.

Attention ! Effectuez l'assemblage de la tige inférieure et de la protection supérieure avec des outils manuels et non électriques.

Attention ! Il faut impérativement serrer les 2 vis de la tige de descente au boîtier du moteur du ventilateur.

- Faites glisser la protection de l'adaptateur moteur sur le boîtier du moteur du ventilateur.
- Remontez la rotule et vérifiez que la goupille de la rotule et la vis de la rotule sont bien installés.



Instructions d'installation

ENGLISH

6. Fixation du ventilateur

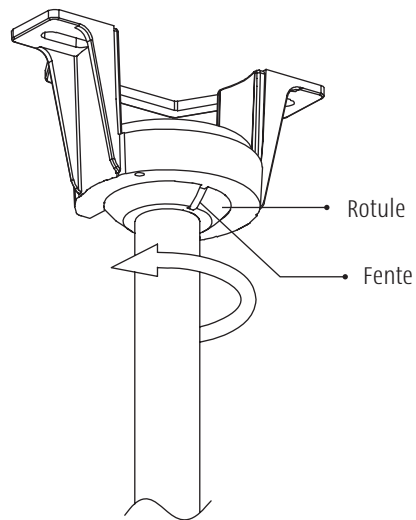
- Soulevez délicatement le moteur du ventilateur.
- Placez la rotule dans le support de suspension, de manière à ce que la rainure se trouve dans la fente. La tige de descente ne doit pas tourner si cela est fait correctement.

Attention ! Pour garantir le bon fonctionnement du ventilateur, il est important d'utiliser toutes les vis destinées à le suspendre.

DEUTSCH

ESPAÑOL

ITALIANO



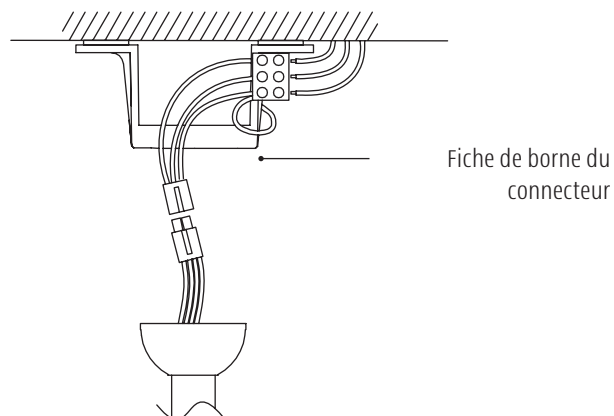
FRANÇAIS

عربي

עברית

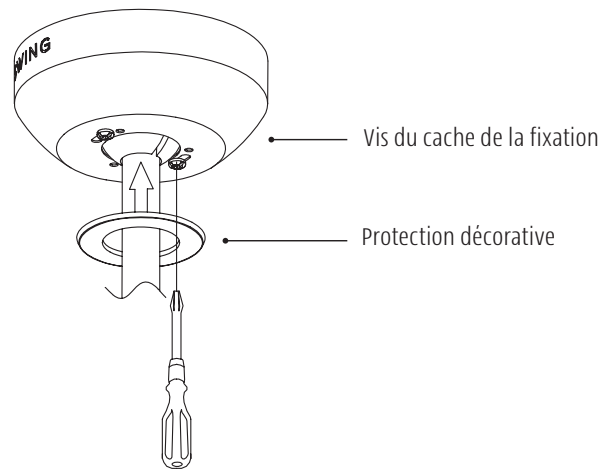
7. Raccordement du ventilateur de plafond à l'alimentation électrique

Une fois le ventilateur de plafond correctement suspendu, branchez le connecteur de la borne (mâle à femelle).



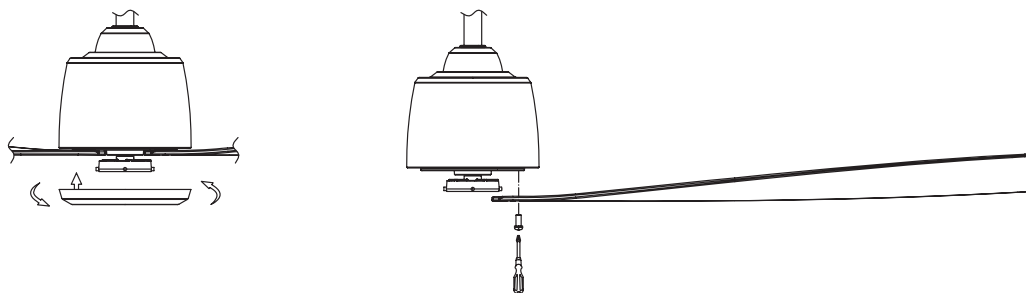
8. Mise en place du cache de la fixation

- Faites remonter le cache de la fixation autour du support de suspension.
- Faites pivoter le cache de la fixation et serrez les vis.
- Recouvrez les vis avec la protection décorative.



9. Mise en place des pales et connexion de la protection inférieure

- Vérifiez que les pales sont installées dans le bon sens. Notez la présence de l'étiquette « This side up » (ce côté vers le haut) sur les pales du ventilateur.
- Les pales ne sont pas réversibles.
- Insérez les 3 vis à travers la pale et vissez-les sur le moteur.
- Répétez ce processus de fixation pour toutes les autres pales.
- Insérez délicatement la protection inférieure et faites-la pivoter dans le sens inverse des aiguilles d'une montre.



Appairage de la télécommande

ENGLISH

Attention ! Il est nécessaire d'appairer la télécommande lors de l'installation d'un ventilateur de plafond.

Ce processus relie la télécommande du ventilateur avec une fréquence unique.
Ceci permet d'éviter les perturbations de fréquence et les interférences avec d'autres ventilateurs de plafond.

DEUTSCH

Coupez l'alimentation électrique du ventilateur en abaissant le bouton mural correspondant.

- Rebranchez l'alimentation électrique du ventilateur. Vérifiez que tous les autres ventilateurs sont déconnectés du réseau électrique.

Dans les 60 secondes suivant la mise sous tension du ventilateur, maintenez enfoncé le bouton de mise en marche de la télécommande pendant 8 secondes jusqu'à ce que la lumière clignote deux fois (aucune indication en cas d'absence de luminaire)

La télécommande est désormais associée au ventilateur et celui-ci recevra toutes les instructions de la télécommande.

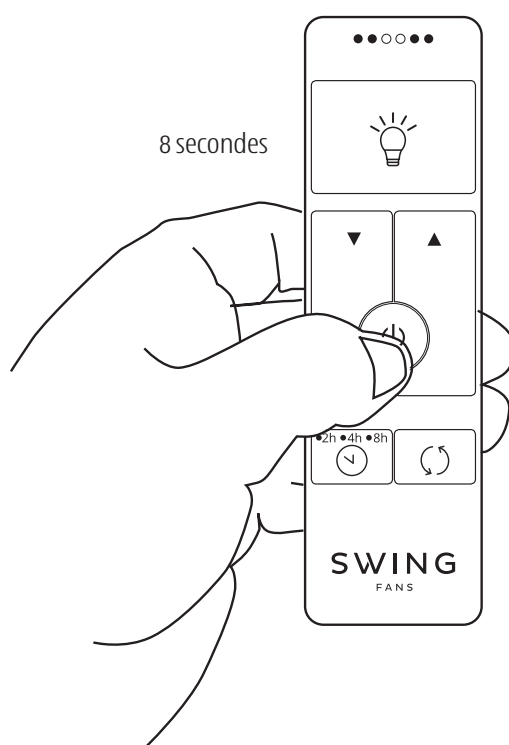
ESPAÑOL

ITALIANO

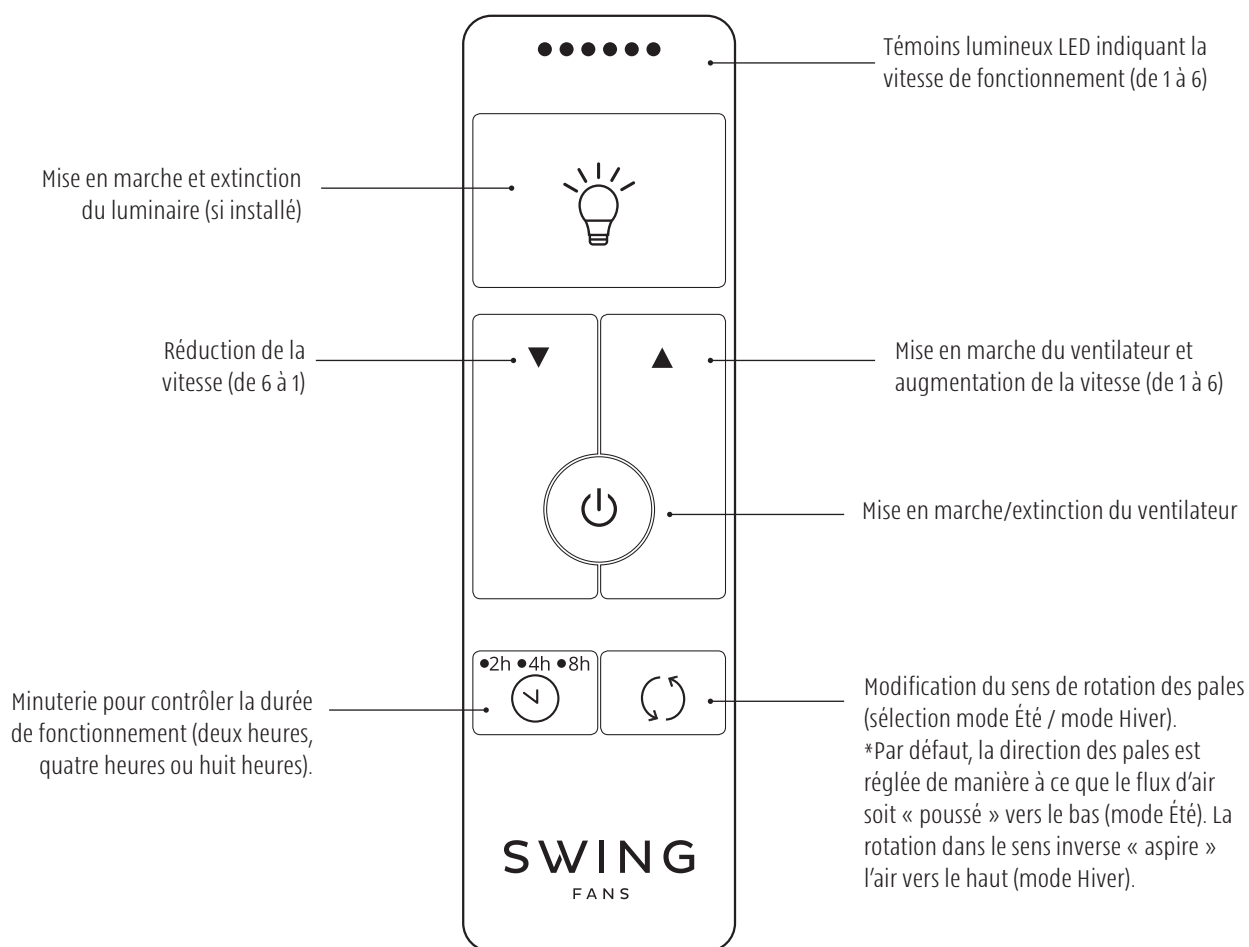
FRANÇAIS

عربيہ

עברית



Fonctions et utilisation de la télécommande



Attention !

- La télécommande fonctionne sans fil et doit se trouver à une distance de 8 mètres maximum du ventilateur.
- Lors du changement de fonction, patientez quelques secondes que le ventilateur reçoive l'instruction et effectue l'opération, surtout après avoir changé le sens de rotation des pales.
- La télécommande est livrée avec un support mural dédié qui peut être installé à l'aide de deux vis.
- Les témoins lumineux ne sont pas allumés en permanence : ils s'allument pendant une seconde puis s'éteignent.

ENGLISH

DEUTSCH

ESPAÑOL

ITALIANO

FRANÇAIS

عربية

עברית

Instructions générales d'utilisation, dépannage

ENGLISH

Mise en marche du ventilateur pour la première fois

- Vérifiez que toutes les vis sont bien serrées et que les connexions électriques sont sécurisées.
- Vérifiez que les pales du ventilateur peuvent tourner sans aucune obstruction.
- Vérifiez que le ventilateur est connecté au réseau électrique et qu'il y a du courant sur l'installation.
- Après avoir vérifié que le ventilateur est correctement alimenté, mettez-le en marche à grande vitesse pendant environ 5 minutes.

Attention ! Il faut parfois jusqu'à 30 secondes au ventilateur pour qu'il atteigne la vitesse souhaitée.

DEUTSCH

Dépannage

Remarque ! Avant de commencer toute opération de dépannage ou de réparation, assurez-vous que le ventilateur est déconnecté de l'alimentation électrique.

ESPAÑOL

Le ventilateur a-t-il du mal à démarrer ou le ventilateur ne démarre-t-il pas du tout ?

- Vérifiez tous les branchements électriques, y compris l'interrupteur mural et le disjoncteur dans le boîtier électrique du local.
- Vérifiez qu'aucun objet/vis n'empêche le mouvement des pales.
- Vérifiez que la pile de la télécommande est neuve et correctement installée.
- Assurez-vous de bien avoir appuyé sur le bouton de mise en marche du ventilateur sur la télécommande.
- Allumez le ventilateur à la vitesse la plus élevée.
- Vérifiez que la télécommande et le ventilateur sont bien associés et si nécessaire associez à nouveau la télécommande au ventilateur (Page 12).

ITALIANO

FRANÇAIS

Mauvaise circulation de l'air ?

- Le ventilateur peut tourner dans le sens inverse (mode Hiver). Vérifiez quel mode a été sélectionné (mode Été/Hiver) suivant la saison.
- Vérifiez que les pales sont installées dans le bon sens et que l'étiquette « This side up » (ce côté vers le haut) est bien orientée vers le plafond.
- Vérifiez que le ventilateur est adapté à la taille de la pièce.
- Vérifiez si l'espace entre le plafond et les pales n'est pas inférieur à 20 cm. Si c'est le cas, le débit d'air sera considérablement réduit.

Le ventilateur est-il bruyant ?

- S'il s'agit d'un bruit « mécanique », vérifiez que les pales sont bien serrées, que toutes les vis sont bien serrées, que le luminaire est correctement installé et que tous les câbles sont correctement connectés.
- S'il s'agit d'un bruit « électrique » que vous entendez principalement le soir ou tôt le matin, il peut être provoqué par des impulsions électriques sur le réseau électrique.

Attention ! Certains bruits ne peuvent être évités et ne sont pas couverts par la garantie.

عربيہ

עברית

Le ventilateur vibre ou vacille ?

- Lorsque les ventilateurs de plafond tournent, ils ont tendance à vibrer légèrement, surtout à grande vitesse (c'est la raison pour laquelle ils sont équipés d'une rotule flexible qui leur permet de vaciller librement). Les ventilateurs installés avec une longue tige de descente ont tendance à vaciller davantage que les ventilateurs installés avec une tige de descente standard.
- Si le ventilateur vacille ou vibre de manière excessive, cela peut être dû au fait que les pales sont desserrées ou déséquilibrées. Dans ce cas, vérifiez que toutes les pales sont solidement fixées au ventilateur, qu'aucune vis ne manque et que toutes les vis sont bien serrées. Assurez-vous que le support de suspension est correctement fixé au plafond.
- Au besoin, vous pouvez rééquilibrer les pales à l'aide du kit d'équilibrage des pales fourni avec le ventilateur.
- Si le ventilateur de plafond vacille de manière extrême, cessez immédiatement de l'utiliser et contactez le service client.
- Tous les jeux de pales sont regroupés par poids dans un ensemble. Si les pales de différents ventilateurs sont mélangées, cela peut provoquer des oscillations et des vibrations durant le fonctionnement.

Attention ! Pour éviter des dommages à long terme, il est important d'équilibrer le ventilateur dès que possible. L'équilibrage du ventilateur n'est pas couvert par la garantie.

Entretien

- Pour que l'apparence du ventilateur de plafond et son intégrité ne se dégradent pas, veillez à le nettoyer et à le dépoussiérer périodiquement (à l'aide d'un détergent non abrasif). L'accumulation de poussière et de saleté n'est pas esthétique et réduira les performances du ventilateur.
- En raison du mouvement naturel du ventilateur, certaines connexions peuvent se desserrer au fil du temps. Vérifiez les connexions du ventilateur, les pales et resserrez les vis au besoin (il n'est pas nécessaire de retirer le ventilateur du plafond pour effectuer ces opérations).

Conditions de garantie

ENGLISH

Tous les produits SWING sont des ventilateurs de haute qualité. La garantie s'applique au moteur, au boîtier du ventilateur, aux pales et aux luminaires faisant partie de la gamme de ventilateurs et accessoires vendus par SWING.

L'installation doit être effectuée conformément à ce manuel et doit être conforme à la réglementation électrique locale.

DEUTSCH

Produits

- Cette garantie s'applique à tous les produits fabriqués par la marque SWING. Ventilateurs de plafond, ventilateurs de plafond pour conditions extérieures, ventilateurs industriels et luminaires adaptés aux ventilateurs de plafond. La garantie ne couvre pas les ampoules et les consommables.
- Les dommages causés par une mauvaise installation ou une utilisation déraisonnable ne sont pas couverts par la garantie.

ESPAÑOL

Période de garantie

- La période de garantie des produits SWING est d'un an. Au-delà de la période de garantie d'un an, les conditions suivantes s'appliquent :
- La durée de la garantie du moteur du ventilateur est de 3 ans.

ITALIANO

Conditions de garantie

- La garantie pour les produits SWING est valable dans les conditions suivantes :
- Les produits doivent être utilisés conformément aux spécifications d'application du produit.
 - La garantie couvre uniquement les défaillances du produit causées par des défauts de matériaux ou de fabrication.
 - Seuls les techniciens SWING agréés sont autorisés à entretenir les produits SWING. Toute opération d'entretien ou de réparation réalisée par un technicien non agréé par SWING annulera la garantie.

FRANÇAIS

عربي

עברית

Réparation du produit sous garantie

- En cas de dysfonctionnement du produit, SWING peut, à sa seule discrétion, décider de réparer les composants ou les produits, de fournir un produit similaire en remplacement ou de rembourser le client d'origine.
- SWING, à sa seule discrétion, choisira de tester le produit au domicile du client ou dans un laboratoire SWING.
- Les réparations couvertes par la garantie ne couvrent pas les dommages résultant d'une chute de tension, de la foudre, de fluctuations de la tension secteur ou du raccordement à une alimentation électrique instable (telle que des installations solaires).
- Les dommages causés par un manque de précautions lors de l'installation ne sont pas couverts par la garantie.
- Si un défaut est constaté sur le ventilateur lors de l'ouverture de l'emballage, ne l'installez pas. Informez immédiatement l'entreprise du problème et ramenez-le là où vous l'avez acheté.
- Le client ou l'utilisateur final prendra en charge tous les frais liés au retrait et à la réinstallation du ventilateur de plafond, ainsi que les frais d'expédition pour l'acheminement et le retour des produits. Tous les frais d'expédition seront prépayés par le client.
- Les autres frais tels que les coûts de remplacement des composants lors de l'installation, les réparations causées par une mauvaise installation, d'autres types de dommages ou dommages consécutifs ne sont pas couverts par cette garantie.
- Si une réparation est nécessaire au domicile du client, les frais de livraison, d'installation et de fonctionnement de tout équipement spécial (tel que les échafaudages, les chariots élévateurs...), destinés à permettre l'accès au ventilateur de plafond, seront à la charge du client/propriétaire des lieux.
- Dans tous les cas, l'entreprise n'est pas responsable et ne prendra pas en charge les frais de démontage, de remontage, de transport ou tout autre coût nécessaire pour amener le ventilateur au centre de réparation et le renvoyer au client.

Soumettre une demande de réparation d'un produit sous garantie

- Une demande de réparation sous garantie doit être effectuée immédiatement en ouvrant un ticket d'assistance sur le site internet et le cas échéant, en présentant une facture d'achat originale et en renvoyant le produit défectueux. Ceci permet aux représentants SWING de vérifier la validité de la garantie du produit et le domaine d'intervention de la demande.

Pour que toutes les informations soient conservées dans la base de données SWING, nous vous recommandons de remplir le formulaire de garantie ci-joint et de nous l'envoyer immédiatement après l'achat du ventilateur. De plus, pour faciliter le processus d'identification et de service en cas de dysfonctionnement, il est recommandé de joindre la facture d'achat originale à ce formulaire.

ENGLISH

DEUTSCH

ESPAÑOL

ITALIANO

FRANÇAIS

عربية

עברית

Formulaire de garantie

ENGLISH

Le formulaire de garantie sera accepté avec :

1. Tous les détails renseignés sur ce formulaire.
2. La facture d'achat.
3. Les informations de l'installateur.

DEUTSCH

Informations du client

Nom du client :

Adresse :

Téléphone :

Téléphone mobile :

Adresse e-mail :

ESPAÑOL

Détails de l'achat

Nom du magasin où l'achat a été effectué :

Date d'achat :

Nom du produit :

ITALIANO

FRANÇAIS

Informations de l'installateur (le cas échéant)

Nom et adresse de l'entreprise de l'installateur :

Date de la pose :

Nom de l'installateur :

Téléphone :

عربيہ

Il est recommandé d'envoyer une copie de ce formulaire avec la facture d'achat originale immédiatement après l'installation afin que les informations soient enregistrées dans la base de données de l'entreprise.

Le formulaire peut être rempli en ligne sur : www.swingfans.com

Comment nous contacter pour faire valoir la garantie :

www.swingfans.com

עברית

ENGLISH

DEUTSCH

ESPAÑOL

ITALIANO

FRANÇAIS

عربية

עברית

SWING

FANS

ENGLISH

DEUTSCH

ESPAÑOL

ITALIANO

FRANÇAIS

عربية

עברית

SWING

FANS

نموذج الضمان

سيتم قبول نموذج الضمان مع:

1. يتم ملء هذا النموذج بجميع التفاصيل.
2. فاتورة الشراء.
3. تفاصيل القائم بالتركيب.

تفاصيل العميل

اسم العميل:

العنوان:

الهاتف:

هاتف محمول:

البريد الإلكتروني:

تفاصيل شراء

اسم المحل الذي تم الشراء منه:

تاريخ الشراء:

اسم المنتج:

تفاصيل القائم بالتركيب (إن أمكن)

اسم شركة التركيب وعنوانها:

تاريخ التركيب:

اسم القائم بالتركيب:

الهاتف:

كيفية الاتصال بنا لاستخدام الضمان:

www.swingfans.com

وَنُصَحُ بِإرسال نسخة من هذا النموذج مع فاتورة الشراء الأصلية مباشرة بعد التركيب حتى يتم تسجيل المعلومات في قواعد بيانات الشركة.

يمكن ملء النموذج عبر الإنترنت على: www.swingfans.com

ENGLISH

DEUTSCH

ESPAÑOL

ITALIANO

FRANÇAIS

عربية

עברית

إصلاح المنتج تحت الضمان

- في حالة حدوث عطل في المنتج، قد تقرر SWING، وفقًا لتقديرها الخاص، ما إذا كان سيتم إصلاح المكونات أو المنتجات، أو تقديم منتجات بديلة، أو استرداد الأموال للعملاء الأصليين.

- ستختار SWING، وفقًا لتقديرها الخاص، ما إذا كان سيتم اختبار المنتج في منزل العميل، أو في مختبر SWING.

- لا يغطي الإصلاح بموجب الضمان أي ضرر نتيجة لانخفاض الجهد أو البرق أو التقلبات في جهد التيار الكهربائي أو الاتصال بمصدر كهرباء بديل (مثل أنظمة الطاقة الشمسية).

- لا يغطي الضمان الأضرار الناجمة عن التعامل العدواني أثناء التركيب. في حالة وجد خلل في المروحة عند فتح العبوة - فلا تقم بتركيبها، بل قم بإبلاغ الشركة على الفور، وأعدّها إلى المكان الذي تم شراؤها فيه.

- سيتحمل العميل أو المستخدم النهائي جميع التكاليف الناشئة عن فك مراوح السقف وإعادة تركيبها. بالإضافة إلى تكاليف شحن جلب المنتجات وإعادةتها، سيتم دفع جميع تكاليف الشحن مسبقًا من قبل العميل.

- التكاليف الأخرى مثل: تكاليف استبدال المكونات أثناء التركيب، والإصلاحات الناجمة عن فشل التركيب، وأنواع أخرى من الضرر و/أو الأضرار التبعية - لا يغطيها هذا الضمان.

- إذا كان الإصلاح مطلوبًا في منزل العميل - فإن تكلفة التوصيل والتركيب وتشغيل أي معدات خاصة (مثل: السقالات، الرافعات الشوكية)، مخصصة للسماح بالوصول إلى مراوح السقف - سوف تنطبق على العميل / مالك المكان.

- وفي كل الأحوال، فإن الشركة غير مسؤولة ولن تتحمل تكاليف التفكيك أو التجميع أو النقل أو أي تكاليف أخرى لغرض جلب المروحة إلى مركز الخدمة وإعادةتها إلى العميل.

تقديم طلب إصلاح المنتج تحت الضمان

- يجب تقديم طلب الإصلاح بموجب الضمان فورًا عن طريق فتح تذكرة خدمة عبر الموقع الإلكتروني، وإذا لزم الأمر، عن طريق تقديم فاتورة الشراء الأصلية وإعادة المنتج المعيب، وذلك حتى يتمكن ممثلو SWING من التحقق من صحة ضمان المنتج ونطاق الطلب.

ومن أجل الحفاظ على المعلومات في قواعد بيانات SWING، ينصح بملء نموذج الضمان المرفق وإرساله إلينا مباشرة بعد شراء المروحة. بالإضافة إلى ذلك، ولتسهيل عملية التعرف والخدمة في حالة حدوث عطل، يوصى بإرفاق فاتورة الشراء الأصلية مع هذا النموذج.

ENGLISH

DEUTSCH

ESPAÑOL

ITALIANO

FRANÇAIS

عربي

עברית

شروط الضمان

جميع منتجات SWING هي مراوح عالية الجودة. ينطبق الضمان على المحرك وجسم المروحة والشفرات وتركيبات الإضاءة التي تعد أجزاء من المراوح التي تباعها SWING. يجب إجراء التركيب وفقاً لهذا الدليل ويجب أن يتوافق مع الكود الكهربائي المحلي.

| | |
|--------------------|--|
| المنتجات | <p>- ينطبق هذا الضمان على جميع المنتجات المصنّعة بواسطة العلامة التجارية SWING. مراوح السقف. مراوح السقف للظروف الخارجية. المراوح الصناعية. وتركيبات الإضاءة المناسبة لمراوح السقف. الضمان لا يشمل المصابيح والمواد الاستهلاكية.</p> <p>- لا يغطي الضمان الأضرار الناجمة عن التركيب غير السليم أو الاستخدام غير المعقول.</p> |
| فترة الضمان | <p>فترة الضمان لمنتجات SWING هي لمدة سنة واحدة. بعد فترة الضمان البالغة سنة واحدة. ينطبق ما يلي:</p> <p>- ضمان محرك المروحة هو 3 أعوام.</p> |
| شروط الضمان | <p>الضمان المقدم لمنتجات SWING صالح بموجب الشروط التالية:</p> <p>- يجب استخدام المنتجات وفقاً لمواصفات تطبيق المنتج.</p> <p>- يغطي الضمان فقط أعطال المنتج الناجمة عن عيوب في المواد و/أو التصنيع و/أو التصنيع.</p> <p>- يُسمح فقط لفنيي SWING المرخصين بصيانة منتجات SWING. أي خدمة و/أو إصلاح يقوم بها فني غير معتمد من SWING سوف يؤدي إلى إبطال الضمان.</p> |

ENGLISH

DEUTSCH

ESPAÑOL

ITALIANO

FRANÇAIS

عربية

ગુજરાતી

هل المروحة تتأرجح أم تهتز؟

- عندما تدور مراوح السقف، فإنها تميل إلى الاهتزاز قليلاً، خاصة عند السرعات العالية (وهذا هو السبب في أنها مجهزة بمفصل كروي مرن يسمح بحرية الحركة). تميل المراوح المثبتة بقضيب سفلي طويل إلى الاهتزاز أكثر من المراوح المثبتة بقضيب سفلي قياسي.

- إذا كانت المروحة تتأرجح أو تهتز بشكل شديد، فقد يكون ذلك بسبب حقيقة أن الشفرات مفكوكة أو غير متوازنة. في هذه الحالة، تأكد من تركيب جميع الشفرات بشكل آمن على المروحة، ومن عدم فقدان أي براغي ومن ربط جميع البراغي. تأكد من تركيب دعامة التعليق بشكل صحيح على السقف.

- إذا لزم الأمر، يمكن موازنة الشفرات باستخدام مجموعة موازنة الشفرات، والتي تأتي مع المروحة.

- إذا اهتزت مروحة السقف بشكل شديد - توقف عن استخدام المروحة على الفور واتصل بخدمة العملاء.

- يتم تجميع جميع مجموعات الشفرات حسب الوزن كمجموعة. قد يؤدي خلط الشفرات من مروحة أخرى إلى تمايل واهتزاز المروحة.

تنبيه! لمنع حدوث ضرر طويل الأمد، من المهم موازنة المروحة في أسرع وقت ممكن. لا يشمل الضمان موازنة المروحة.

- من أجل الحفاظ على مظهر مروحة السقف وسلامتها، تأكد من تنظيف وإزالة الغبار بشكل دوري (باستخدام منظفات غير كاشطة). تراكم الغبار والأوساخ ليس أمراً جمالياً وسيؤدي إلى انخفاض أداء المراوح.

- نظراً للحركة الطبيعية للمراوح، قد تصبح بعض الوصلات فضفاضة مع مرور الوقت. تحقق من توصيلات المراوح والشفرات وأحكام ربط البراغي إذا لزم الأمر. (ليس من الضروري إزالة المروحة من السقف لأداء العمل)

صيانة

تعليمات التشغيل العامة، استكشاف الأخطاء وإصلاحها

ENGLISH

DEUTSCH

ESPAÑOL

ITALIANO

FRANÇAIS

عربية

עברית

تنشيط المروحة لأول مرة

- تأكد من إحكام ربط جميع البراغي، وتأمين التوصيلات الكهربائية.
- تأكد من أن شفرات المروحة يمكن أن تدور دون أي عوائق.
- تأكد من تشغيل الطاقة ومن توصيل المروحة بالجهد الكهربائي.
- بعد التأكد من تزويد المروحة بالجهد الكهربائي، قم بتشغيل المروحة على سرعة عالية لمدة 5 دقائق تقريبًا.

تنبيه! قد يستغرق الأمر ما يصل إلى 30 ثانية حتى تصل المروحة إلى السرعة المطلوبة.

استكشاف الأخطاء وإصلاحها

ملاحظة! قبل البدء في أي نشاط لاستكشاف الأخطاء وإصلاحها أو الإصلاح، تأكد من فصل مصدر التيار الكهربائي.

- هل تواجه المروحة مشكلة في بدء التشغيل أم أنها لن تبدأ على الإطلاق؟
- تحقق من جميع التوصيلات الكهربائية، بما في ذلك مفتاح الجدار وفاصل الدائرة الكهربائية الموجود في صندوق المصاهر.
- تأكد من عدم وجود أي جسم/برغي يمنع حركة الشفرات.
- تأكد من أن بطارية جهاز التحكم عن بُعد جديدة وتم إدخالها بشكل صحيح.
- تأكد من أنك قمت بالضغط على زر تشغيل المروحة في جهاز التحكم عن بُعد.
- قم بتشغيل المروحة على أعلى سرعة.
- تحقق من إقران جهاز التحكم عن بُعد والمروحة، وإذا لزم الأمر، قم بإعادة تشغيلهما- قم بإقران جهاز التحكم عن بُعد بالمروحة (صفحة 12).

ضعف تدفق الهواء؟

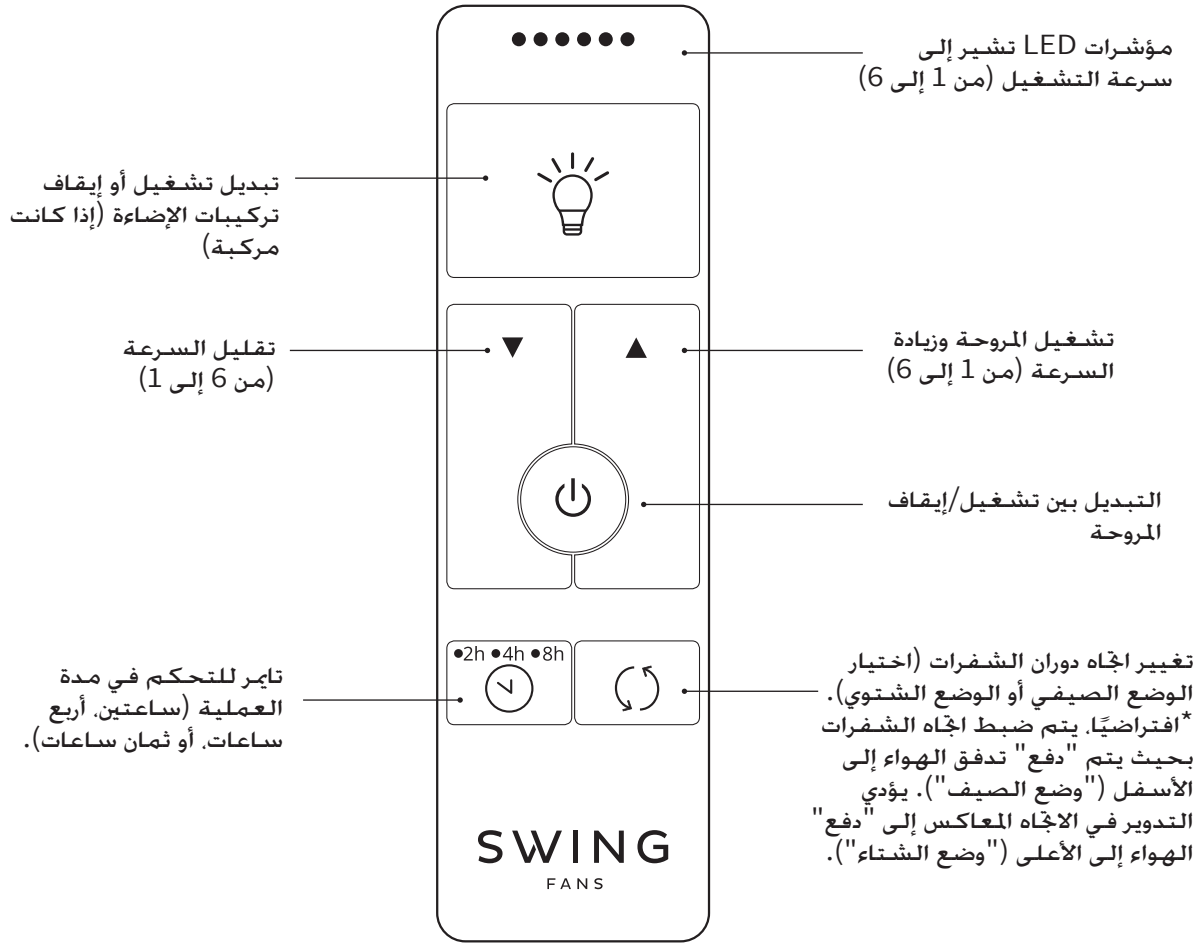
- قد تدور المروحة في الاتجاه المعاكس (وضع الشتاء) - تحقق من اختيار وضع الصيف/الشتاء وتأكد من ضبط الوضع بشكل مناسب لهذا الموسم.
- تأكد من تركيب الشفرات في الاتجاه الصحيح، ومن أن الملصق "هذا الجانب لأعلى" مواجه للسقف.
- تأكد من أن المروحة مناسبة لحجم الغرفة.
- تأكد من أن المسافة بين السقف والشفرات أقل من 20 سم. في هذه الحالة، سيتم تقليل تدفق الهواء بشكل كبير.

هل المروحة صاخبة؟

- إذا كانت الضوضاء "ميكانيكية"، فتأكد من ربط الشفرات بإحكام، وربط جميع البراغي بشكل آمن، وتركيب تركيبات الإضاءة بشكل صحيح، وتوصيل جميع الأسلاك بشكل صحيح.
- إذا كان الصوت "كهربائيًا" ويتم سماعه بشكل رئيسي في المساء أو في الصباح الباكر، فقد يكون سببه نبضات كهربائية يتم إرسالها عبر الخطوط الكهربائية.

□□□□! لا يمكن منع بعض الضوضاء ولا يغطيها الضمان.

وظائف وتشغيل جهاز التحكم عن بُعد



تنبيه!

- يعمل جهاز التحكم عن بُعد لاسلكيًا ويجب أن يكون ضمن نطاق يصل إلى 8 أمتار من المروحة.
- عند تغيير الوظائف، انتظر بصبر لبضع ثوان حتى تستقبل المروحة الإرسال وتقوم بالتشغيل خاصة بعد تغيير اتجاه دوران الشفرات.
- يأتي جهاز التحكم عن بُعد مزودًا بحامل جداري مخصص يمكن تركيبه باستخدام برغيين.
- لا تُضاء أضواء المؤشر بشكل دائم، بل تُضاء لمدة ثانية واحدة ثم تنطفئ؛

ENGLISH

DEUTSCH

ESPAÑOL

ITALIANO

FRANÇAIS

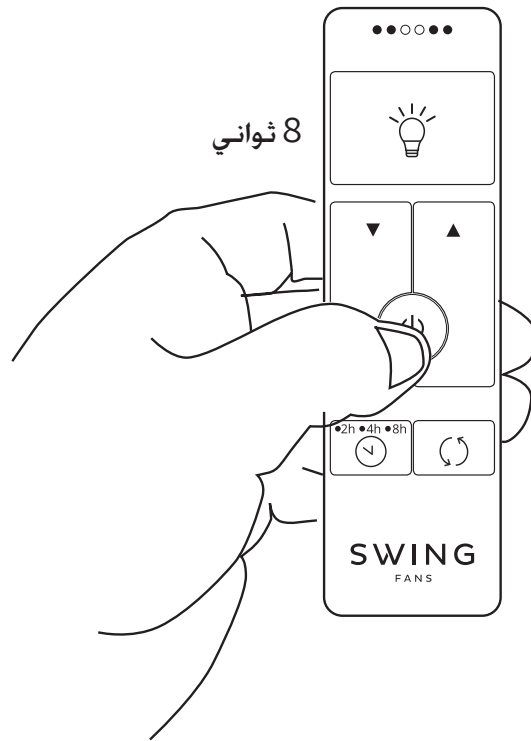
عربي

עברית

إقران جهاز التحكم عن بُعد

تنبيه! يلزم إقران جهاز التحكم عن بُعد عند تركيب مروحة السقف.
هذه العملية تربط جهاز التحكم عن بُعد للمروحة بتردد فريد.
وذلك لمنع انقطاع التردد والتداخل بين مراوح السقف الأخرى.

- قم بإيقاف تشغيل مصدر الكهرباء للمروحة عن طريق إيقاف تشغيل مفتاح الحائط.
- أعد تشغيل مصدر الكهرباء للمروحة. تأكد من فصل جميع المراوح الأخرى عن مصدر التيار الكهربائي.
- في غضون 60 ثانية من تشغيل المروحة، اضغط مع الاستمرار على زر الطاقة الموجود في جهاز التحكم عن بُعد (للمدة 8 ثواني حتى يومض الضوء مرتين) (لا يوجد مؤشر إذا لم يكن هناك تجهيزات الإضاءة).
- تم الآن إقران جهاز التحكم عن بُعد بالمروحة وسيتم استقبال جميع إجراءات جهاز التحكم عن بُعد.



ENGLISH

DEUTSCH

ESPAÑOL

ITALIANO

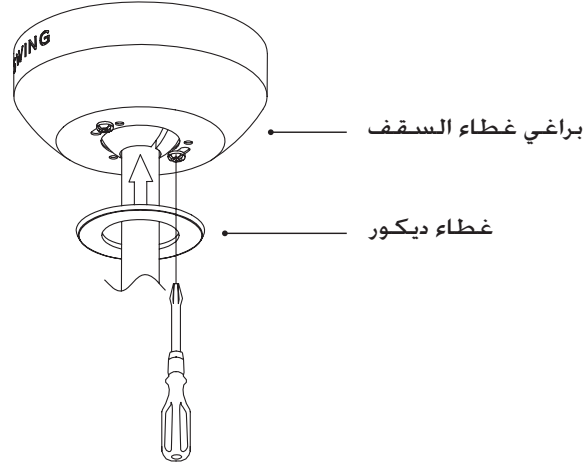
FRANÇAIS

عربيته

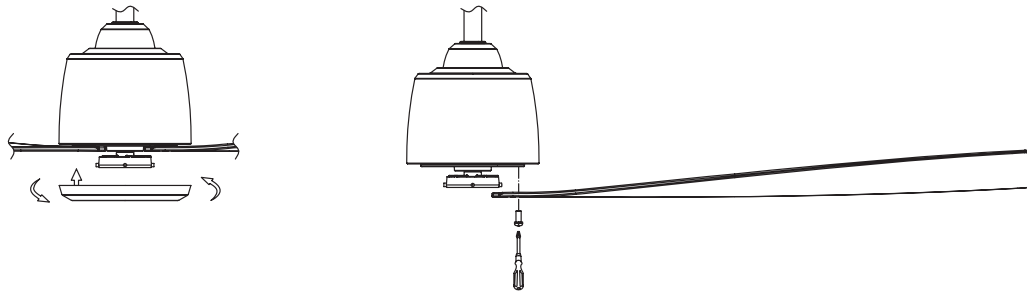
தமிழ்

8. توصيل غطاء السقف

- ارفع غطاء السقف فوق دعامة التعليق.
- قم بتدوير غطاء السقف وشد البراغي.
- قم بتغطية البراغي بغطاء الديكور.

**9. تركيب الشفرات وتوصيل الغطاء السفلي**

- تأكد من تركيب الشفرات في الاتجاه الصحيح. لاحظ الملصق "هذا الجانب لأعلى" على شفرات المروحة.
- الشفرات غير قابلة للعكس.
- أدخل البراغي داخل الشفرة وقم بتركيبها بالمحرك.
- كرر عملية التركيب هذه بالنسبة لجميع الشفرات الأخرى.
- قم بتوصيل الغطاء السفلي بلطف وقم بتدويره عكس اتجاه عقارب الساعة.



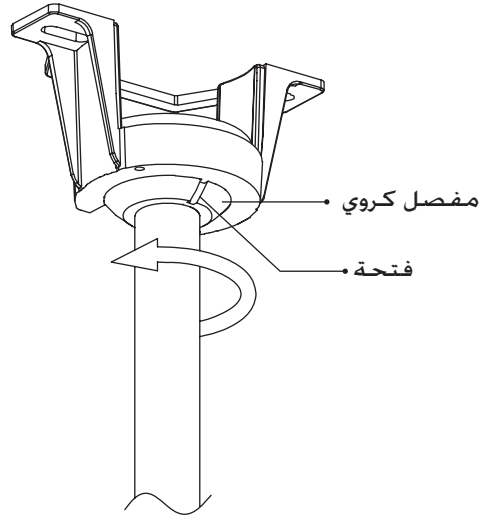
تعليمات التركيب

6. تعليق المروحة

- محرك المروحة بعناية

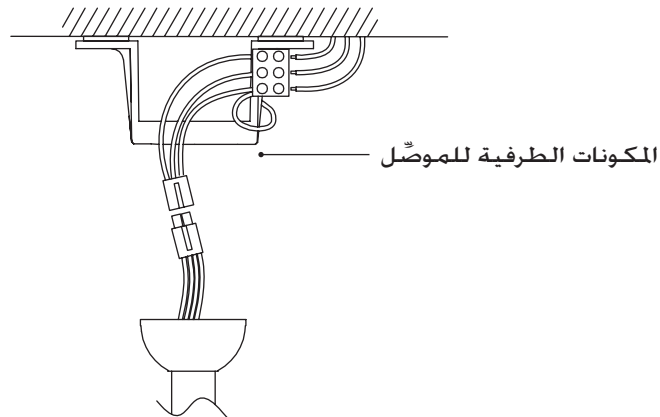
- ضع الوصلة الكروية في دعامة التعليق. بحيث يقع الأخدود في الفتحة. لا ينبغي أن يدور القضيب السفلي إذا تم ذلك بشكل صحيح.

تنبيه! لضمان التشغيل السلس للمروحة، من المهم ربط جميع البراغي المخصصة لتعليقها بشكل آمن.



7. توصيل مروحة السقف بمصدر الكهرباء

بعد تعليق مروحة السقف بشكل صحيح، قم بتوصيل موصل التوصيل الطرفي (ذكر إلى أنثى).



ENGLISH

DEUTSCH

ESPAÑOL

ITALIANO

FRANÇAIS

عربية

ગુજરાતી

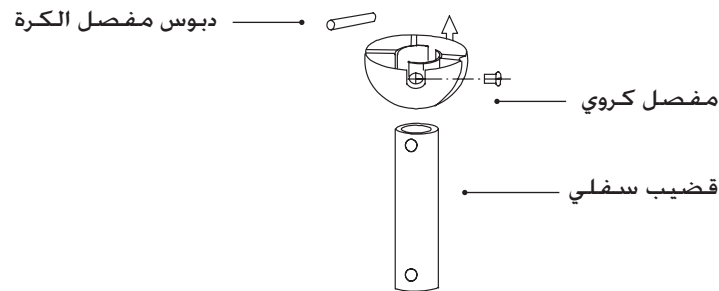
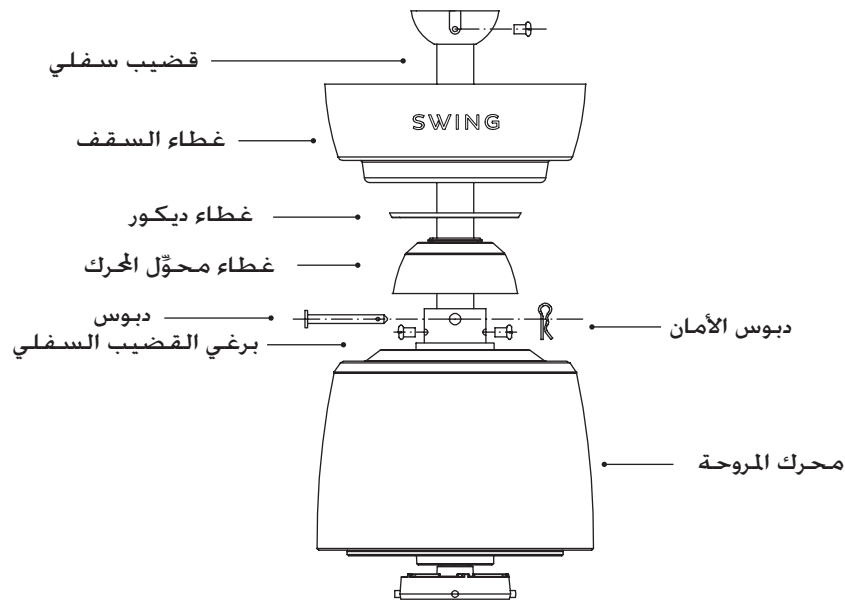
5. تجميع القضيبي السفلي وغطاء السقف

- قم بفك برغي المفصل الكروي و قم بإزالة دبوس المفصل الكروي. بحيث يسمح بتفكيك المفصل الكروي من القضيبي السفلي.
- قم بتمرير الأسلاك من خلال غطاء محول المحرك وغطاء الديكور وغطاء السقف والقضيبي السفلي.
- ضع القضيبي السفلي أعلى حجيرة محرك المراوح و قم بمحاذاة الفتحات.
- أدخل الدبوس من خلال قضيبي التمديد (تأكد من عدم تلف الأسلاك) وأدخل دبوس الأمان.

تنبيه! قم بتجميع القضيبي السفلي والغطاء العلوي باستخدام الأدوات اليدوية وغير الكهربائية.

تنبيه! من الضروري ربط البرغيين اللولبيين للقضيبي السفلي بحجيرة محرك المروحة.

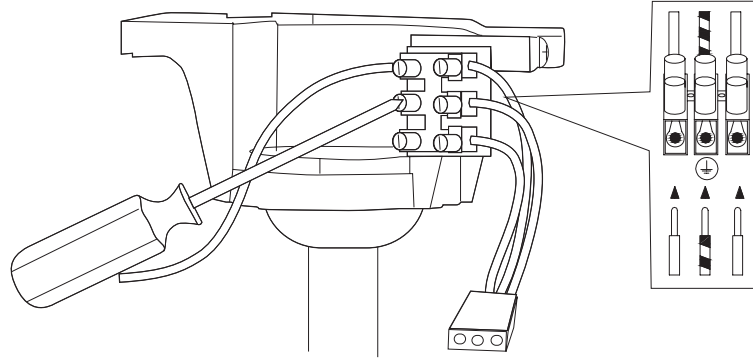
- قم بتحريك غطاء محول المحرك فوق حجيرة محرك المروحة.
- أعد تجميع المفصل الكروي وتأكد من التركيب الصحيح لمسمار المفصل الكروي ومسمار المفصل الكروي.



تعليمات التركيب

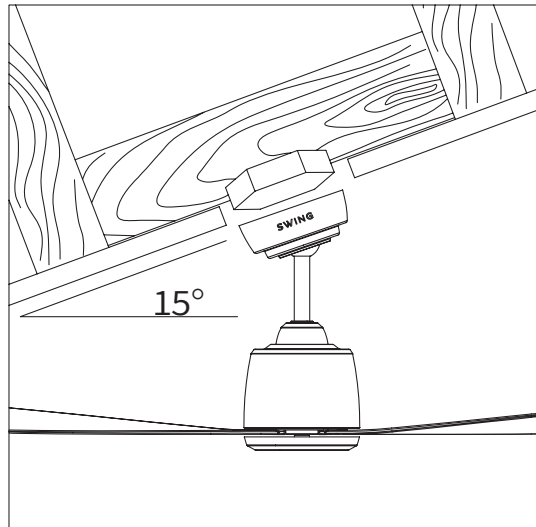
3. اتصال التيار الكهربائي

قم بتوصيل مصدر التيار الكهربائي 220-240 فولت بمجموعة التوصيل النهائية وفقًا للعلامات.



4. تركيب مروحة السقف بزاوية

يمكن تركيب هذه المروحة على منحدر سقف يصل إلى 15 درجة.



ENGLISH

DEUTSCH

ESPAÑOL

ITALIANO

FRANÇAIS

عربية

தமிழ்

تعليمات التركيب

1. فتح العبوة والتحضيرات قبل التركيب

- قم بإخراج مروحة السقف بعناية من العبوة ثم ضع محرك المروحة وشفراتها على قطعة قماش أو سطح ناعم. قد يؤدي وضع المحرك أو الشفرات على سطح صلب إلى التأثير على التشطيبات النهائية.

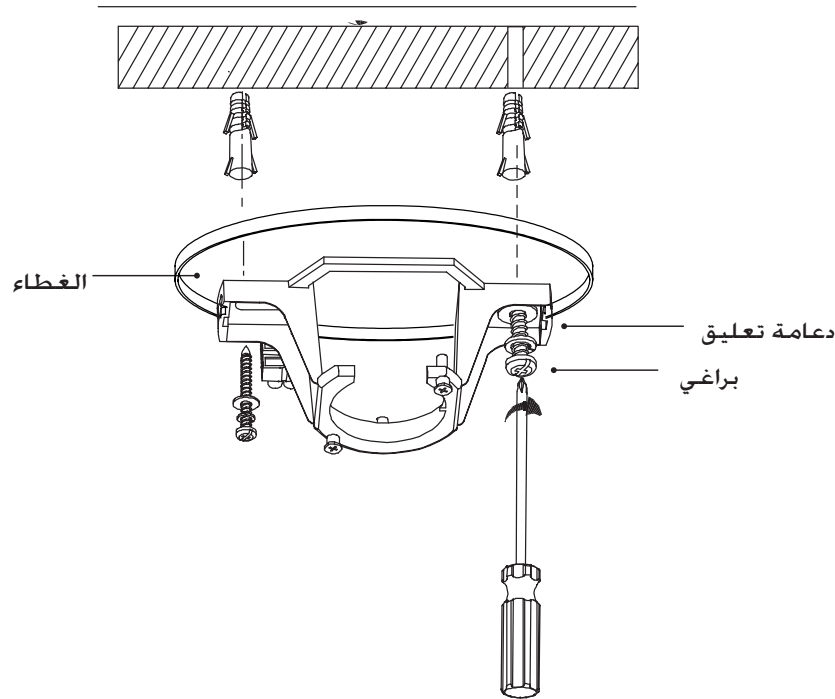
- تم تزويد مروحة السقف هذه بمجموعة من الشفرات المطابقة. لا تقم بخلط أو تبديل الشفرات من منتج مختلف. قد يؤدي استخدام شفرات مختلفة عن تلك المتوفرة إلى حدوث خلل وسيؤدي إلى إبطال الضمان.

- قبل بدء التثبيت، تأكد من أن جميع الأجزاء موجودة ومتوفرة للاستخدام. بما في ذلك أي ملحقات قد تكون مطلوبة للتثبيت. استخدم فقط ملحقات مروحة Swing الأصلية.

2. تثبيت دعامة التعليق

- قم بتثبيت دعامة التعليق على سطح مستو باستخدام مثبتات مناسبة، والتي يجب تثبيتها على عارضة خشبية أو خرسانة (البراغي المرفقة مخصصة للخرسانة القياسية. بالنسبة لأنواع الهياكل الأخرى، يجب استخدام مثبتات التثبيت المناسبة).

- يجب استخدام جميع البراغي المتوفرة. ولا يجوز بأي حال من الأحوال تثبيت دعامة التعليق على لوح الجبس (الجبسوم بورد) فقط.



ENGLISH

DEUTSCH

ESPAÑOL

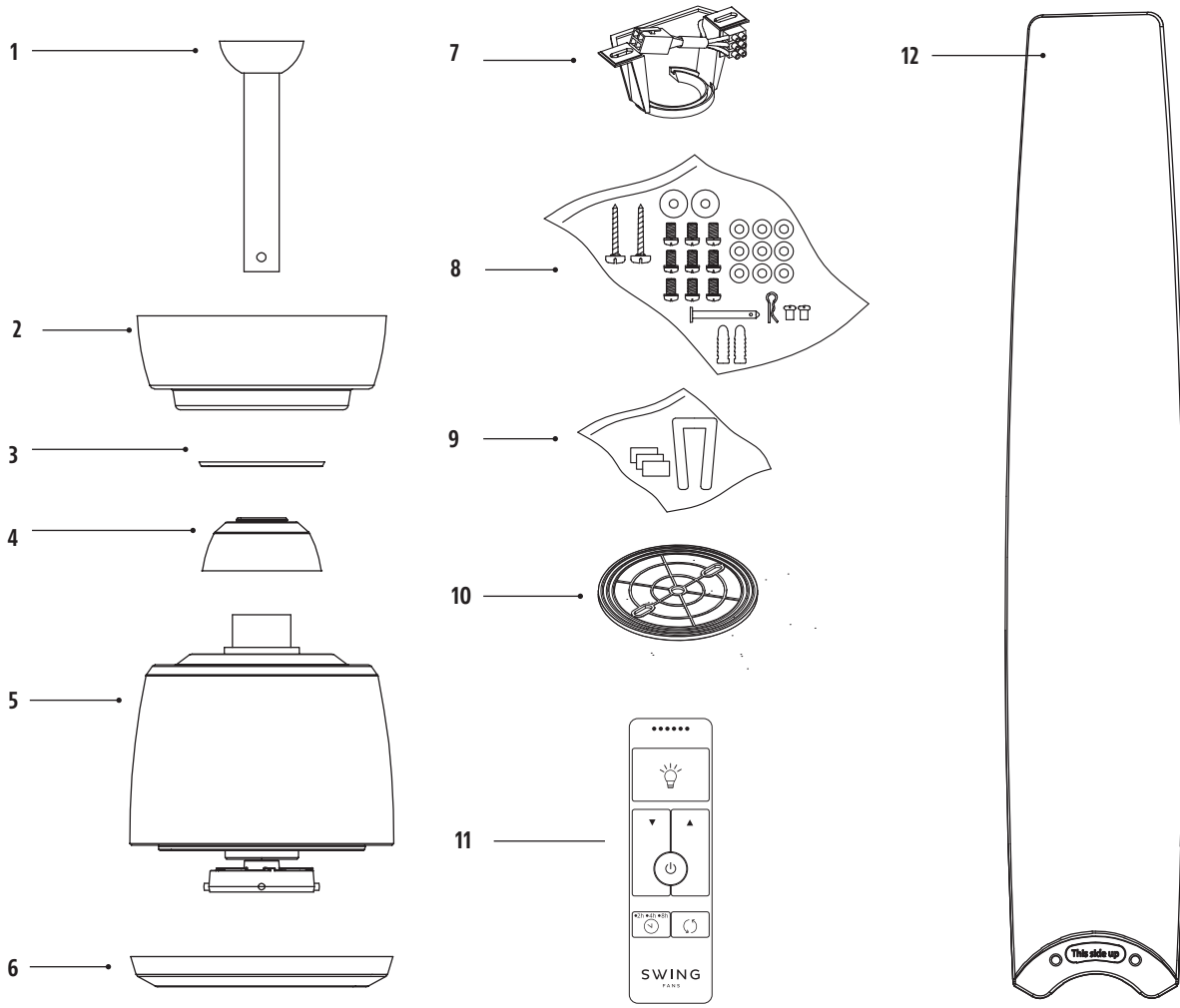
ITALIANO

FRANÇAIS

عربي

עברית

أجزاء المروحة



9 | طقم التوازن
10 | غطاء
11 | جهاز التحكم
12 | شفرات المروحة

5 | محرك المروحة
6 | الغطاء السفلي
7 | دعامة التعليق
8 | طقم براغي

1 | قضيب سفلي ومفصل كروي
2 | غطاء السقف
3 | غطاء ديكور
4 | غطاء محول المحرك

ENGLISH

DEUTSCH

ESPAÑOL

ITALIANO

FRANÇAIS

عربية

עברית

تعليمات السلامة العامة

ENGLISH

- قم بإيقاف تشغيل المروحة وانتظر حتى تتوقف الشفرات تمامًا قبل إجراء أي صيانة أو تنظيف.
- هذه المروحة مخصصة للاستخدام الداخلي والخارجي.
- تحتوي هذه المروحة على محرك من نوع التيار المستمر.
- يجب تركيب وتشغيل مراوح SWING فقط باستخدام ملحقات SWING وجهاز التحكم عن بُعد والقضبان السفلية والشفرات.

DEUTSCH

- يجب أن تكون مروحة السقف هذه متصلة بشكل آمن بهيكل صلب. لا ينبغي بأي حال من الأحوال تركيب دعامة التعليق على ألواح الجص فقط!
- استخدم جميع البراغي المتوفرة مع المروحة! يشكّل عدم استخدام جميع البراغي خطرًا على السلامة وقد يؤدي إلى إصابة خطيرة.
- تأكد من أن الملحقات المستخدمة لتركيب دعامة التعليق على السقف مهيأة لتحمل وزن متحرك يصل إلى 30 كجم على الأقل

ESPAÑOL

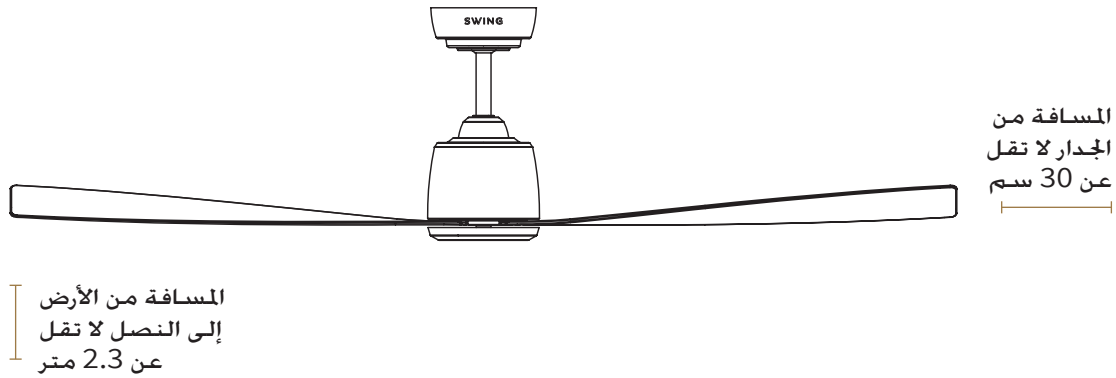
- يجب تركيب الشفرات على محرك المروحة فقط بعد تعليق المحرك بشكل صحيح على السقف. قد يؤدي تركيب الشفرات أثناء وجود المحرك على الأرض أو على أي سطح آخر إلى تلفها أو انحنائها.
- قبل البدء بأي نوع من الأعمال الكهربائية، قم بإيقاف تشغيل التيار الكهربائي من خال فاصل الدائرة الكهربائية الموجود في صندوق المصهرات.
- يجب تأريض مروحة السقف هذه.

ITALIANO

- لا تقم بفصل المقابس عن الأسلاك ولا تقم بتغيير الأسلاك بأي شكل من الأشكال.
- تأكد من أن الحد الأدنى للمسافة بين الشفرات والأرضية 2.3 متر. والحد الأدنى للمسافة بين طرف الشفرات والجدار 30 سم.
- تأكد من أن شفرات المروحة يمكن أن تدور بحرية دون أي عوائق. (النوافذ، الأبواب، الخزائن، الخ.)
- بعد تركيب المروحة، تأكد من تأمين جميع مكونات التركيب لمنع سقوط المروحة.
- لا تقم بإدخال أي شيء في شفرات المروحة أثناء تشغيل المروحة

FRANÇAIS

عند تركيب المروحة، تأكد من الحفاظ على الحد الأدنى من المسافة بينك وبين الجدران والأرضية. وأن الشفرات يمكن أن تدور بحرية دون أي عوائق عند تشغيل المروحة.



عربي

עברית

تأكد من قراءة هذا الدليل وجميع معلومات السلامة بعناية قبل تركيب المروحة الجديدة.

تنبيه! يجب أن يتم تركيب مروحة السقف وملحقاتها وفقاً لتعليمات السلامة والأسلاك والتركيب المحددة في هذا الدليل. التركيب غير المطابق للتعليمات قد يؤدي إلى تلف المروحة وبشكل انتهاكاً لشروط الضمان المحددة في الضمان*

ENGLISH

DEUTSCH

ESPAÑOL

ITALIANO

FRANÇAIS

عربيته

עברית

* يوجد ملحق الضمان في نهاية هذا الدليل

SWING

FANS

3
ضمان
سنة

فيسبيك E

دليل التركيب بخصوص مروحة السقف SWING

DIAMOND DAMP | ref: 85113



ENGLISH

DEUTSCH

ESPAÑOL

ITALIANO

FRANÇAIS

عربية

עברית

SWING

FANS

טופס אחריות

טופס אחריות יתקבל בצירוף:

1. טופס זה ממלא עם כל הפרטים.
2. חשבונית קנייה.
3. אישור התקנה ע"י חשמלאי מוסמך. המתקין יכול לעזור במילוי הטופס.

פרטי לקוח

שם הלקוח:

כתובת:

טלפון:

נייד:

מייל:

פרטי רכישה

שם החנות שבה בוצעה הרכישה:

תאריך הרכישה:

מק"ט המוצר כפי שמופיע על גבי האריזה:

פרטי המתקין

שם החברה והכתובת של המתקין:

תאריך ההתקנה:

שם החשמלאי:

טלפון:

מס' רישיון חשמלאי:

ליצירת קשר למימוש האחריות:
אימייל: service@swingfans.co.il

טלפון: *5185

פקס: 03-5581420

מומלץ לשלוח העתק של טופס זה בצירוף חשבונית קנייה מקורית מיד לאחר ההתקנה בכדי שהמידע יתקבל במאגרי החברה ונוכל להקל עליכם בעתיד.

את הטופס יש לשלוח במייל לכתובת: warranty@swingfans.co.il או בדואר לכתובת: ת.ד. 172 ברקת, מיקוד: 73185

תיקון מוצר במסגרת האחריות

- במקרה של תקלה במוצר, סווינג על פי שיקול דעתה הבלעדי, רשאית להחליט האם לתקן רכיבים או מוצרים, לספק מוצרים חלופיים דומים כתחליף, או לתת זיכוי ללקוחות המקוריים.
- סווינג, על פי שיקול דעתה הבלעדי תבחר האם לבדוק את המוצר בבית הלקוח, או במעבדת סווינג.
- התקנה על ידי חשמלאי מוסמך נדרשת על פי חוק – במקרה שתוגש בקשה לביקור אצל הלקוח (במסגרת האחריות), עלינו לוודא שהחשמלאים שלנו מוגנים מפני התחשמלות בשוגג. לכן לפני שליחת איש המקצוע, ייבדק ויאומת המידע שמסרתם באשר לחשמלאי המוסמך שהתקין את מאוורר התקרה.
- תיקון במסגרת האחריות אינו מכסה נזק כתוצאה מנפילות מתח, ברקים, תנודות במתח רשת החשמל או חיבור לאספקת מתח חלופית (כדוגמת מערכות סולאריות).
- נזק שנגרם כתוצאה מטיפול אגרסיבי במהלך ההתקנה אינו מכוסה במסגרת האחריות.
- אם נמצא פגם במאוורר בעת פתיחת האריזה – אין להתקינו, אלא להודיע מיידית לחברה ולהחזירו למקום שממנו נרכש.
- הלקוח או משתמשי הקצה יישאו בכל העלויות הכרוכות בהורדה ובהתקנה מחדש של מאווררי התקרה, וכן בעלויות השילוח של הבאת והחזרת המוצרים. כל עלויות המשלוח ישולמו מראש על ידי הלקוח.
- עלויות אחרות כגון: עלויות החלפת רכיבים בזמן ההתקנה, תיקונים שנגרמו מכשלים של התקנה, מנזק אחר ו/או מנזק תוצאתי – אינם מכוסים במסגרת אחריות זו.
- במידה שנדרש תיקון אצל הלקוח – עלות האספקה, ההתקנה וההפעלה של ציוד מיוחד כלשהו (לדוגמה: פיגומים, מלגזות), שמטרתו לאפשר גישה למאווררי התקרה – תחול על הלקוח/בעל המקום.
- בכל מקרה אין החברה אחראית ולא תישא בהוצאות של פירוק, הרכבה, שינוע או כל עלות אחרת לצורך הבאת המאוורר לשירות והחזרתו ללקוח.
- בקשה לתיקון במסגרת האחריות צריכה להתבצע באופן מיידי על ידי פתיחת קריאת שירות דרך אתר האינטרנט ובמקרה הצורך, על ידי הצגת חשבונית קנייה מקורית והחזרת המוצר הפגום. זאת בכדי שנגיגי סווינג יבדקו את תוקף אחריות המוצר והיקף הבקשה.
- כדי להגיש בקשה במסגרת האחריות יש ליצור קשר באחת מהדרכים הבאות:
באמצעות הדואר: ת.ד. 172, ברקת, 73185 | באמצעות דוא"ל: service@swingfans.co.il | בטלפון: *5185.
על הבקשה לכלול את כל המידע הרלוונטי.

הגשת בקשה לתיקון מוצר במסגרת האחריות

כדי שהמידע יישמר במאגרי המידע של 'סווינג' מומלץ למלא את טופס האחריות המצורף ולהעבירו אלינו מיד לאחר רכישת המאוורר. כמו כן, כדי להקל על תהליך הזיהוי והשירות במקרה של תקלה, מומלץ לצרף לטופס זה את חשבונית הקנייה המקורית.

ENGLISH

DEUTSCH

ESPAÑOL

ITALIANO

FRANÇAIS

عربي

עברית

תנאי אחריות

מוצרי סווינג הם מאווררים ברמת איכות גבוהה. האחריות חלה על כל רכיבי המנוע, גופי המאווררים, הלהבים, ועל גוף התאורה אשר מהווים חלקים של המאווררים המשוקים על ידי סווינג. על ההתקנה להתבצע על ידי חשמלאי מוסמך בלבד! התקנה על ידי אדם שאינו חשמלאי מוסמך תביא לביטול האחריות על מאוורר זה ו/או האביזרים הנלווים לו.

ENGLISH

DEUTSCH

ESPAÑOL

ITALIANO

FRANÇAIS

עברית

עברית

מוצרים

- אחריות זו חלה על כל מוצרי המותג סווינג שמשוקים בישראל על ידי חברת טכנולייט בע"מ (להלן "טכנולייט"): מאווררי תקרה, מאווררי תקרה לתנאי חוץ, מאווררים תעשייתיים וגופי תאורה המותאמים למאווררי התקרה. האחריות אינה כוללת נורות וחלקים מתכלים.
- נזק הנגרם כתוצאה מהתקנה לקויה או שימוש לא סביר אינו מכוסה במסגרת האחריות.

תקופת האחריות

תקופת האחריות על מוצרי סווינג היא לשנה אחת. מעבר לתקופת האחריות של שנה אחת יחול האמור להלן:
- על מנוע המאוורר בלבד תינתן האחריות למשך 3 שנים.
- האחריות לשאר חלקי המאוורר תינתן למשך תקופת האחריות בלבד (שנה ממועד הרכישה).

תנאי האחריות

האחריות המוצעת על מוצרי סווינג תקפה בתנאים הבאים:
- יש להשתמש במוצרים בהתאם למפרט היישום של המוצר.
- האחריות מכסה אך ורק כשלים במוצר שנגרמו על ידי פגמים בחומרים, בעיצוב ו/או בייצור.
- רק טכנאי טכנולייט מורשים מאושרים לתת שירות למוצרי סווינג. כל שירות ו/או תיקון שהתבצע על ידי טכנאי שאינו מורשה על ידי סווינג יביא לביטול האחריות.

| |
|----------|
| ENGLISH |
| DEUTSCH |
| ESPAÑOL |
| ITALIANO |
| FRANÇAIS |
| عربى |
| עברית |

המאוורר מתנדנד או רוטט?

- כאשר מאווררי תקרה מסתובבים הם נוטים לרטוט מעט, במיוחד במהירות גבוהה (זו הסיבה שבגללה הם מצוידים בכדור תלייה גמיש שמאפשר תנועה קלה). מאווררים שהותקנו עם מוט הארכה ארוך, נוטים להתנדנד יותר מאשר מאווררים שמוותקנים עם מוט הארכה סטנדרטי.

- אם המאוורר מתנדנד או רוטט יותר מדי, ייתכן שהסיבה היא הלהבים רופפים או לא מאוזנים. במקרה כזה וודאו שכל הלהבים מקובעים היטב למאוורר, שלא חסרים ברגים ושכל האומים מהודקים. וודאו שמתקן התלייה מותקן כראוי על התקרה.

- במידת הצורך, ניתן לאזן את הלהבים באמצעות ערכת איזון הלהבים שמצורפת למאוורר יחד עם הוראות הפעלה פשוטות.

- במידה שמאוורר התקרה מתנדנד בצורה קיצונית - יש להפסיק באופן מיידי את השימוש וליצור קשר עם החברה.

שימולב! כדי למנוע נזק לטווח הרחוק, חשוב לאזן את המאוורר בהקדם האפשרי. איזון המאוורר אינו מכוסה במסגרת האחריות.

תחזוקה

- כדי לשמור על מראה מאוורר התקרה ותקינותו, יש להקפיד על ניקוי המאוורר והסרת אבק באופן תדיר (עם חומרי ניקוי בלתי שוחקים). הצטברות של אבק ולכלוך אינה אסתטית ופוגעת באיכות האוויר ובביצועי המאוורר.

- עם הזמן ייתכן שיהיה צורך לאזן מחדש את מאוורר התקרה.

- החלפת חלקים של מוט התלייה תיעשה אך ורק על ידי היצרן או איש מקצוע מטעמו.

* לצורך השגת חלקי חילוף ניתן להסתייע במפיצים של מוצרי סווינג.

הוראות הפעלה כלליות, איתור ותיקון תקלות

הפעלת המאוורר בפעם הראשונה

- וודאו שכל הברגים מהודקים וחיבורי החשמל בטוחים.
- וודאו שהמאוורר יכול להסתובב בחופשיות, ושהלהבים אינם באים במגע עם עצם כלשהי.
- וודאו שהמתח מופעל ושהמאוורר מוזן במתח חשמלי.
- לאחר שווידאתם שהמאוורר מוזן במתח חשמלי, הפעילו את המאוורר במהירות גבוהה למשך כ-8 דקות.

שימו לב! מרגע הפעלת המאוורר עוברות כמה שניות עד שהוא מגיע למהירות הרצויה.

איתור ותיקון תקלות

הערה! לפני שמתחילים באיתור או בתיקון של תקלה כלשהי, יש לוודא שאספקת החשמל מנותקת.

המאוורר מתקשה להתחיל את פעולתו או לא מתחיל לפעול?

- בדקו את כל חיבורי החשמל, כולל המפסק קיר.
- בדקו שאין חפץ/בורג שמפריע לתנועת הלהבים.
- וודאו שלחצתם על הפעלת המאוורר בשלט.
- וודאו שסוללת השלט מלאה ומוכנסת נכון.
- הדליקו את המאוורר כשהוא מכוון על המהירות הגבוהה ביותר.
- בדקו שהשלט והמאוורר מתואמים ובמידת הצורך – בצעו תיאום מחדש.

תנועת אוויר דלה?

- ייתכן שהמאוורר מסתובב בכיוון ההפוך (מצב חורף) - בדקו את ברירת מצב הקיץ/החורף וודאו שהמצב המוגדר מתאים לעונה.
- בדקו שהכנפיים מותקנות בכיוון הנכון.
- בדקו שהמאוורר מתאים לגודל החדר בו הוא מותקן.
- בדקו אם יש רווח קטן מדי בין התקרה לבין הכנפיים. במקרה כזה תנועת האוויר תהיה דלה יותר.

המאוורר רועש?

- אם מדובר ברעש "מכאני" יש לוודא שהלהבים מהודקים, שכל הברגים סגורים היטב, שהתאורה מותקנת כראוי ושכל החיווט מחובר כמו שצריך.
- אם מדובר ברעש "חשמלי" שנשמע בעיקר בשעות הערב או בשעות הבוקר המוקדמות, ייתכן שהוא נובע מפולטים חשמליים שנשלחים דרך קו החשמל לעיתים קרובות על ידי חברת החשמל.

שימו לב! רעשים חשמליים אלו אינם נמנעים ואינם מכוסים במסגרת האחראיות.

ENGLISH

DEUTSCH

ESPAÑOL

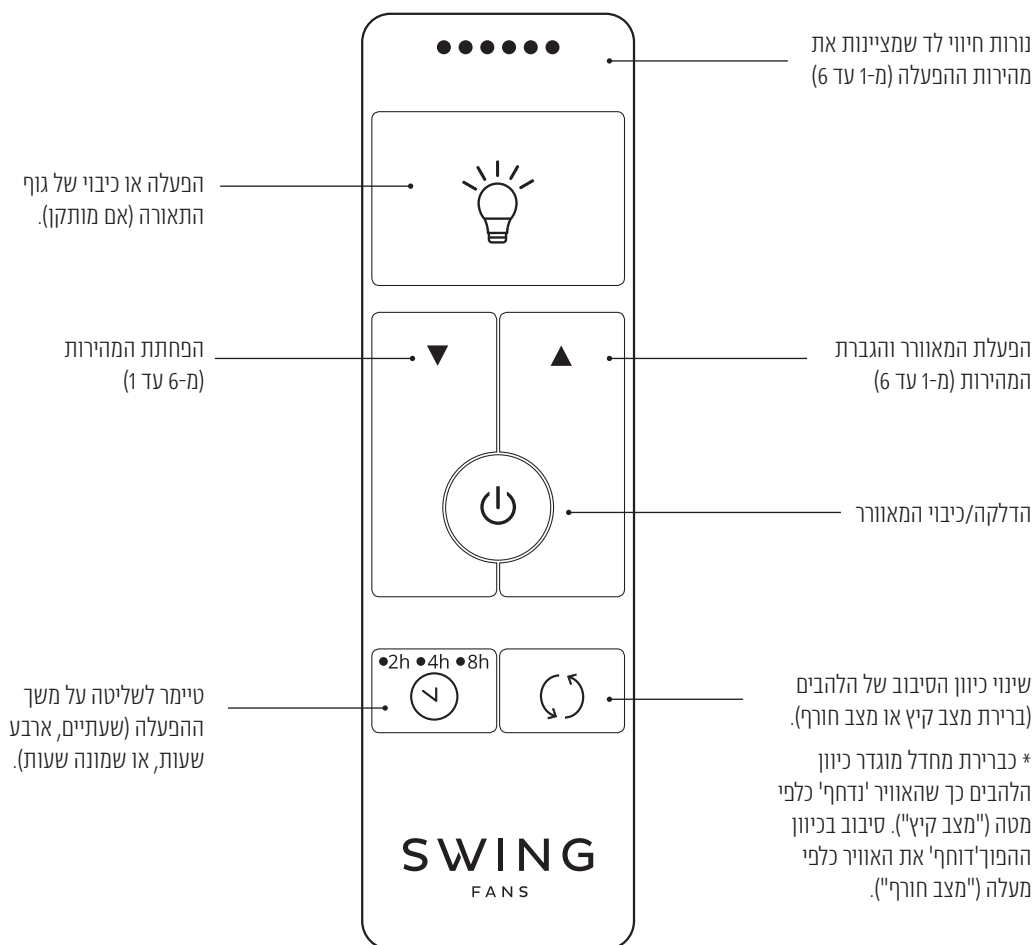
ITALIANO

FRANÇAIS

عربيه

עברית

פונקציות ותפעול השלט הרחוק



שימו לב!

- השלט הרחוק מופעל באופן אלחוטי וחייב להיות בטווח של עד 8 מטרים מהמאוורר.
- בעת שינוי הפונקציות יש להמתין בסבלנות מספר שניות עד שהמאוורר יקלוט את השידור ויבצע את הפעולה, בעיקר לאחר שינוי כיוון הסיבוב של הלהבים.
- השלט הרחוק מגיע עם תופסן קיר ייעודי שניתן להתקין באמצעות שני ברגים.
- נוריות החיווי אינן דולקות באופן קבוע, אלא נדלקות לשנייה אחת ונכבות לאחר מכן.

ENGLISH

DEUTSCH

ESPAÑOL

ITALIANO

FRANÇAIS

عربيہ


עברית

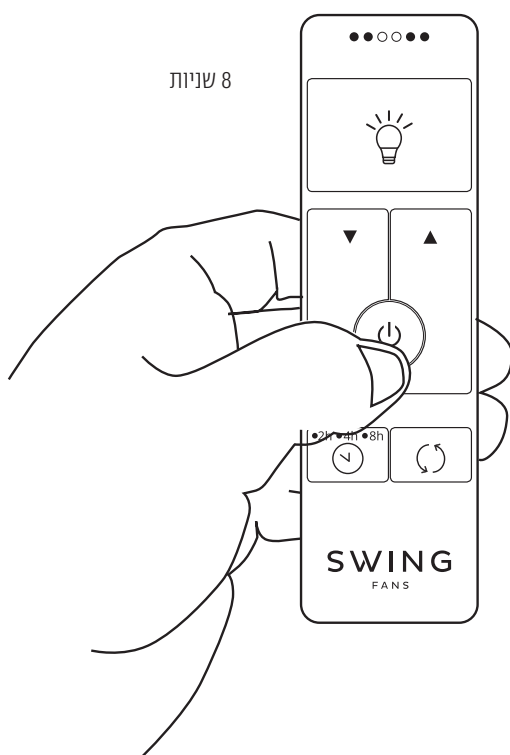
תיאום השלט הרחוק

שימו לב! חובה לבצע תהליך של תיאום שלט בעת התקנת מאוורר התקרה.

תהליך תיאום השלט מחבר בין השלט לבין המנוע עם תדר ייחודי. תהליך זה נועד למנוע שיבוש תדרים והפרעה עם מאווררי תקרה אחרים.

שימו לב! מאוורר התקרה לא יקבל פקודות מהשלט מבלי לבצע תהליך זה.

- הפסיקו את זרם החשמל למאוורר באמצעות הורדה של מפסק הקיר.
- חדשו את זרם החשמל למאוורר על ידי הדלקת המפסק. נא לוודא שכל שאר המאווררים בבית מנותקים מזרם החשמל.
- תוך 60 שניות מהפעלת החשמל למאוורר לחצו על כפתור ההפעלה שבשלט  במשך 8 שניות עד שהתאורה יבהב פעמיים (במידה ולא מותקן גוף תאורה לא תוכלו לראות הבהוב תאורה אבל התהליך עדיין יעבוד).
- כעת השלט מתואם עם המאוורר וכל הפעולות של השלט ייקלטו.



ENGLISH

DEUTSCH

ESPAÑOL

ITALIANO

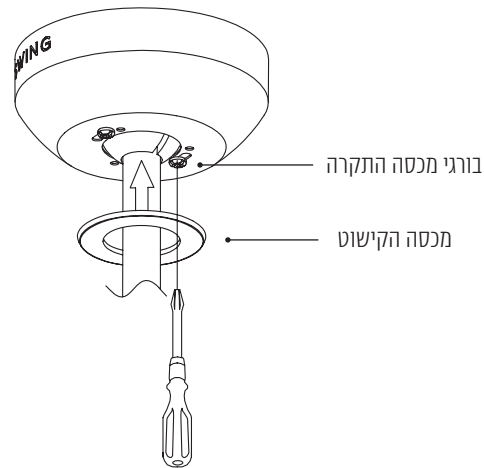
FRANÇAIS

عربيه

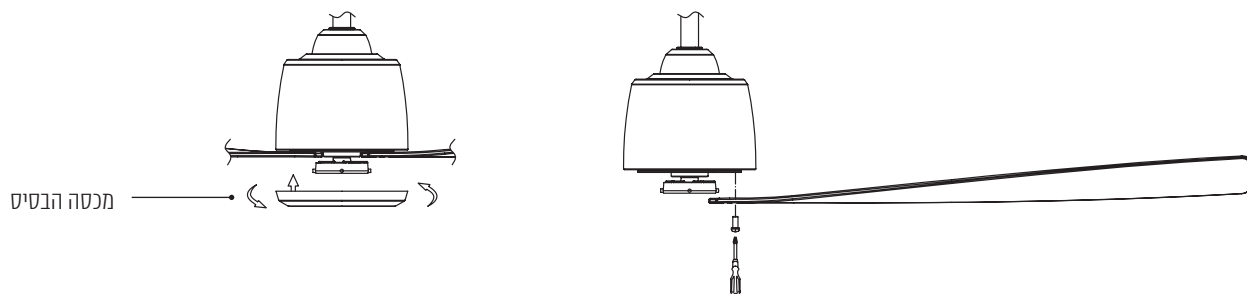
עברית

8. חיבור מכסה התקרה

- מעלים את מכסה התקרה מעל למתקן התלייה.
- מסובבים את מכסה התקרה ומהדקים את בורגי מכסה התקרה.
- מכסים את הברגים עם מכסה הקישוט.
- בתום ההתקנה יש לוודא שכל החיבורים מכוסים וש אין חיווט חשוף.

**9. חיבור הלהבים ומכסה הבסיס**

- מוודאים שהכנפיים (הלהבים) מותקנות בכיוון הנכון.
- בעת שימוש בשלושה להבים - יש לבחור את החורים המסומנים בקווים ירוקים.
- בעת שימוש בארבעה להבים - יש לבחור את החורים המסומנים בקווים אדומים.
- מכניסים את הברגים דרך הלהבים ומהדקים את הברגים. יש לחזור על פעולה זו בכל יתר הלהבים.
- מסובבים בעדינות את מכסה הבסיס עם כיוון השעון על ידי הברגתו בזווית, ומוודאים שהוא מהודק היטב במקומו.
- לפני הפעלת המאוורר יש לוודא שכל הלהבים מהודקים היטב!

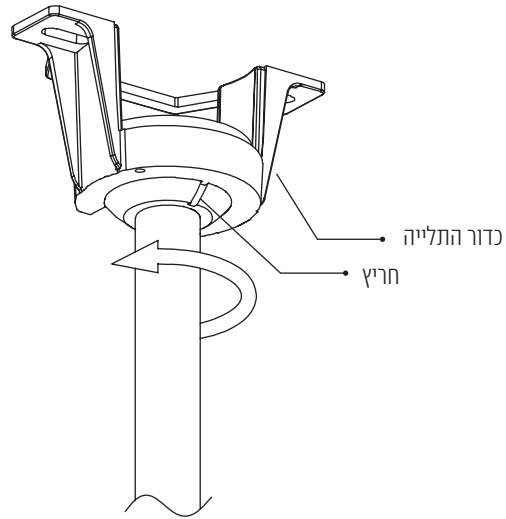


הוראות התקנה

6. תליית המאוורר

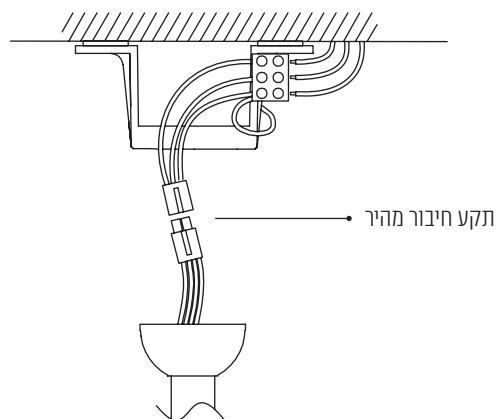
- מרימים בזהירות את מנוע המאוורר.
- מניחים את כדור התלייה במתקן התלייה בהתאמה, כך שהחריץ שבכדור ימוקם על הזיז שבמתקן התלייה.

שימו לב! כדי להבטיח הפעלה חלקה ובטוחה של המאוורר, יש להדק היטב את כל הברגים.



7. חיבור מאוורר התקרה לחשמל

- לאחר שמאוורר התקרה תלוי בצורה נכונה, יש לחבר את התקע בחיבור מהיר (זכר לנקבה).



ENGLISH

DEUTSCH

ESPAÑOL

ITALIANO

FRANÇAIS

عربى

עברית

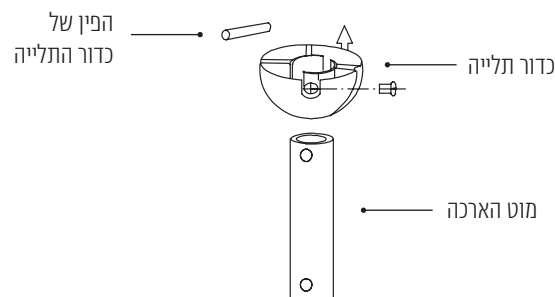
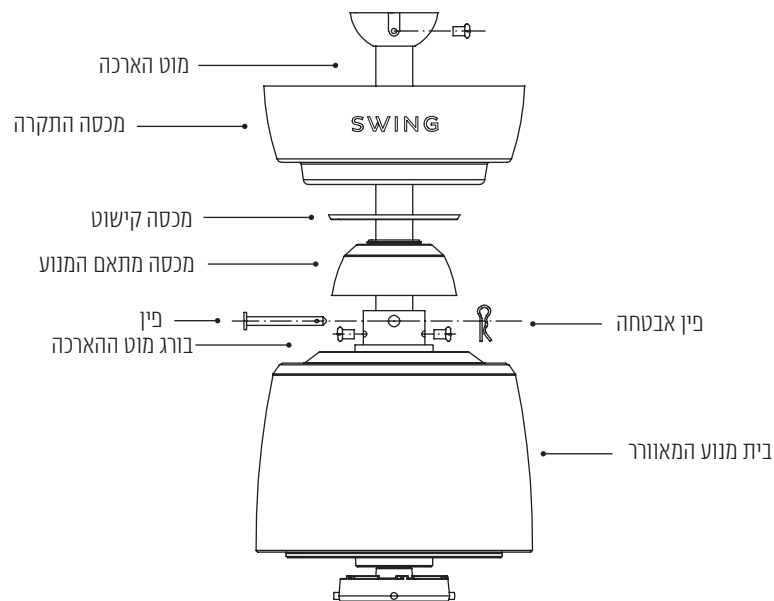
5. הרכבת מוט ההארכה ומכסה התקרה

- משחררים את הבורג של כדור התלייה ומסירים את הפין שלו (של כדור התלייה), באופן שיאפשר את פירוק כדור התלייה ממוט ההארכה.
- את החיווט משחילים דרך מכסה מתאם המנוע, מכסה הקישוט, מכסה כיסוי התקרה ומוט ההארכה.
- ממקמים את מוט ההארכה על חלקו העליון של בית מנוע המאוורר ומיישרים את החורים.
- מחדירים את הפין דרך מוט ההארכה (יש לוודא כי החיווט אינו פגום) ומחדירים את פין האבטחה.

שימו לב! את הרכבת מוט ההארכה ומכסה התקרה יש לבצע בכלים ידניים ולא חשמליים.

שימו לב! חובה להבריג לבית מנוע המאוורר את 2 הברגים של הידוק מוט ההארכה.

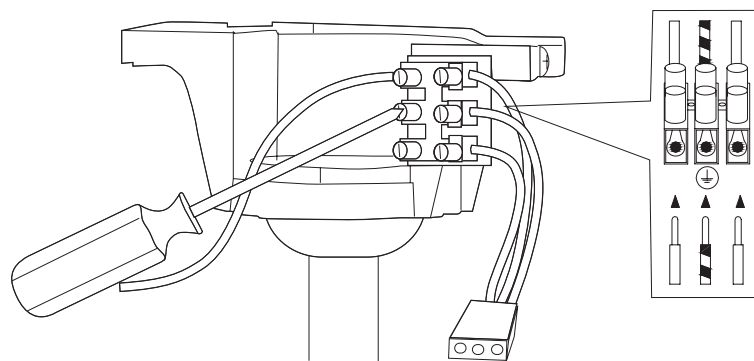
- מחליקים את מכסה מתאם המנוע מעל בית מנוע המאוורר.
- מרכיבים מחדש את כדור התלייה ומוודאים התקנה נכונה של פין כדור התלייה ושל בורג מוט ההארכה.



הוראות התקנה

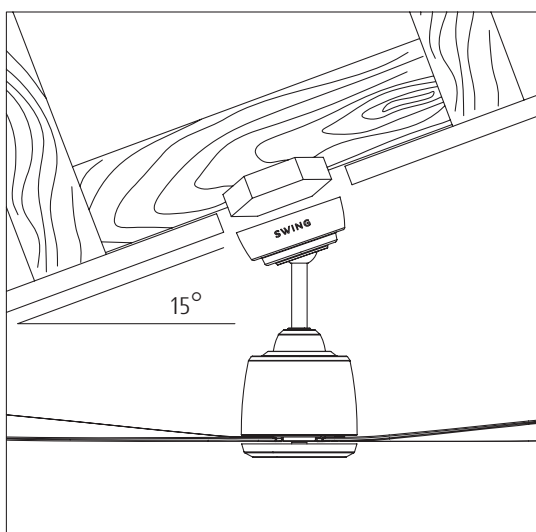
3. חיבור החשמל

מחברים את אספקת החשמל למסוף החיבור בהתאם לסימונים.



4. התקנת מאוורר תקרה בזווית

את המאוורר ניתן לתלות בשיפוע של עד 15 מעלות.



ENGLISH

DEUTSCH

ESPAÑOL

ITALIANO

FRANÇAIS

عربيه

עברית

הוראות התקנה

1. פתיחת האריזה והכנות לפני ההתקנה

- את מאוורר התקרה יש להוציא מהאריזה בזהירות, ולהניח את מנוע המאוורר ואת הלהבים על בד או על משטח רך. הנחת המנוע או הלהבים על משטח קשה עלולה לגרום נזק לגימור.

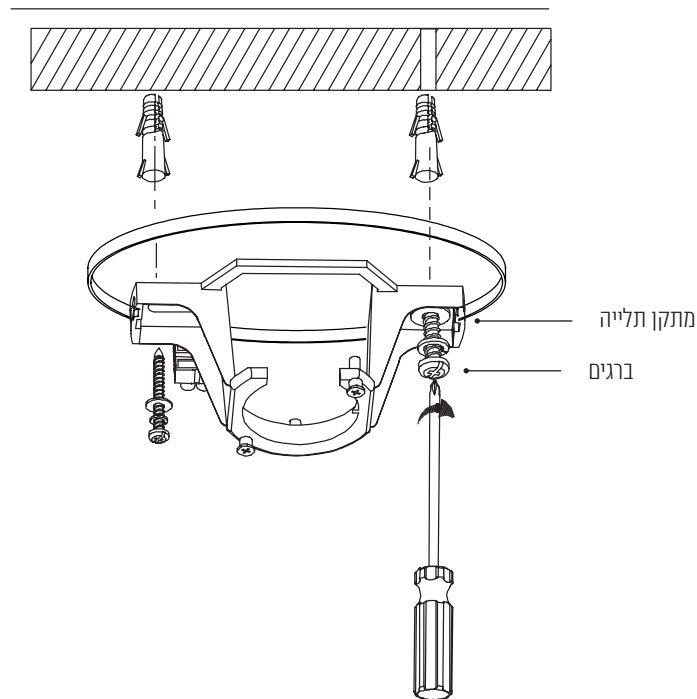
- מאוורר תקרה זה מסופק עם מערכת להבים תואמים - אין לערבב או להחליף בין להבים ממערכות שונות, אלא אם הם מהווים מערכת שלמה. שימוש בלהבים שונים בגודל או בצורה מאלו שסופקו, מגביר את הסיכון להתלקחות או לתקלה במאוורר ויהווה הפרה של תנאי האחריות.

- לפני שמתחילים בהתקנה יש לוודא שכל החלקים נמצאים וזמינים לשימוש, לרבות כל אביזר שעשוי להידרש לצורך ההתקנה. יש להשתמש אך ורק באביזרים המאושרים על ידי החברה.

2. התקנת מתקן התלייה

- את מתקן התלייה יש לקבע למשטח שטוח באמצעות מקבעים מתאימים, שאותם יש להבריג לתוך קורה רוחבית או לתוך בטון (הברגים המצורפים מיועדים להברגה רגילה לבטון. לסוגי מבנה אחרים יש להשתמש בקיבועי התקנה מתאימים אחרים).

- זכרו! יש להשתמש בכל הברגים שסופקו, ובשום מקרה אין להתקין את מתקן התלייה על גבי גבס בלבד.



ENGLISH

DEUTSCH

ESPAÑOL

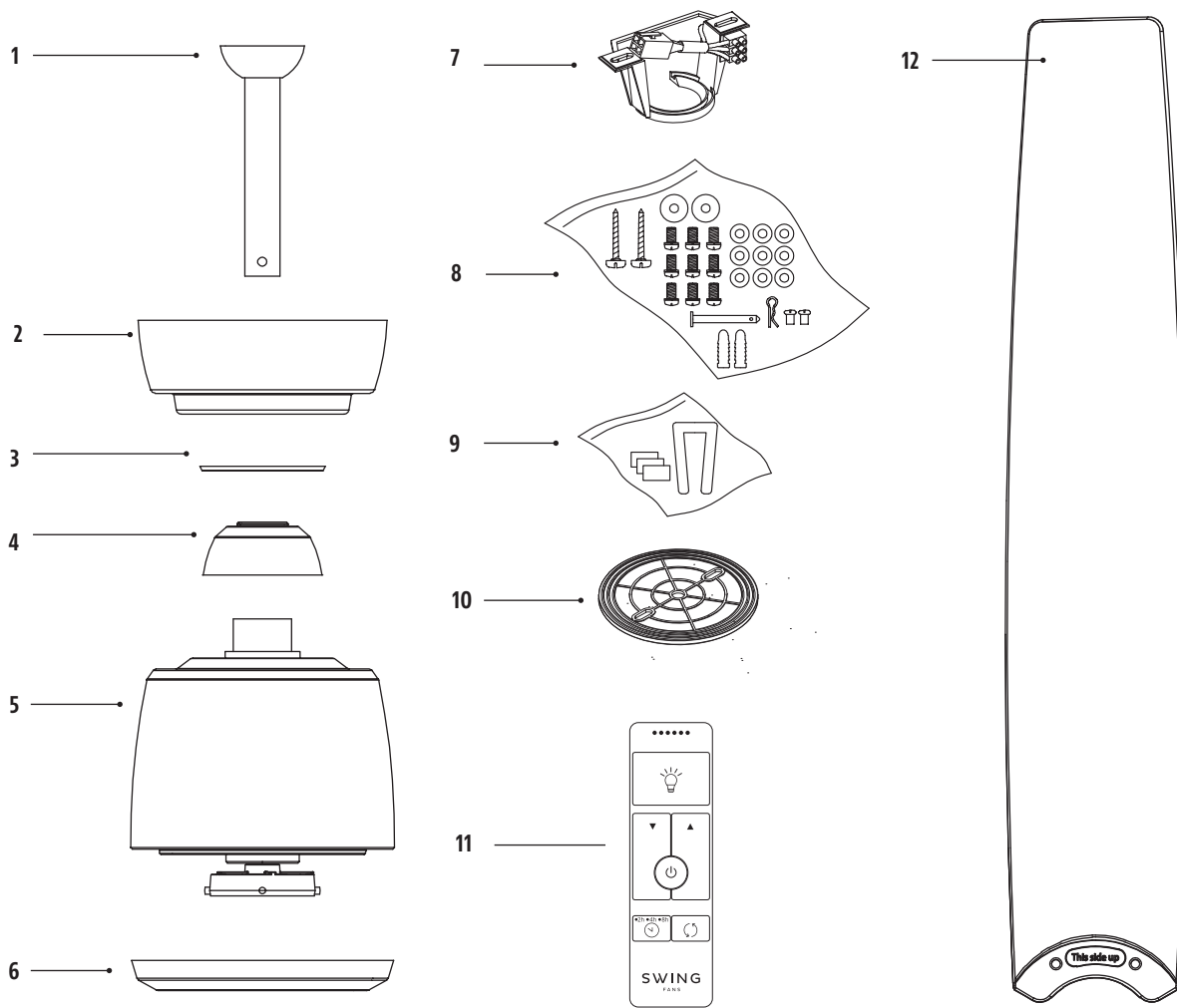
ITALIANO

FRANÇAIS

عربي

עברית

חלקי המאוורר



- 9 | ערכת איזון
- 10 | גומיית איטום מכסה תקרה
- 11 | שלט רחוק
- 12 | להבי המאוורר

- 5 | בית מנוע המאוורר
- 6 | מכסה בסיס
- 7 | מתקן תלייה
- 8 | ערכת ברגים ודיסקיות

- 1 | מוט הארכה וכדור תלייה
- 2 | מכסה תקרה
- 3 | מכסה קישוט
- 4 | מכסה מתאם מנוע

ENGLISH

DEUTSCH

ESPAÑOL

ITALIANO

FRANÇAIS

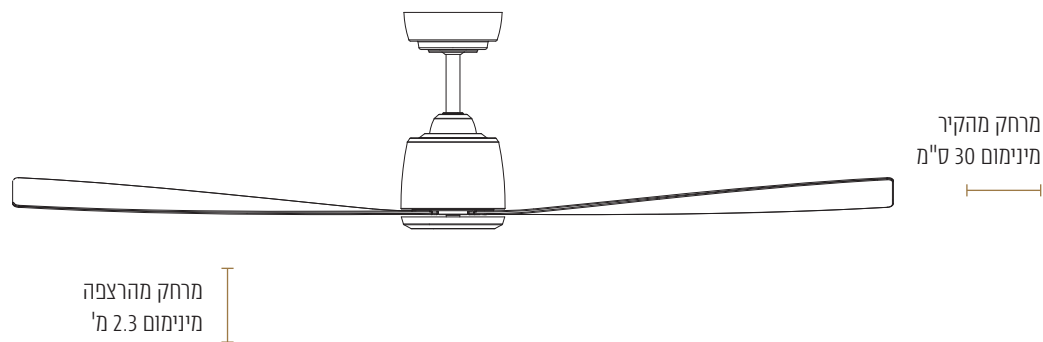
عربي

עברית

הוראות בטיחות כלליות

- המאוורר מיועד לשימוש פנים וחוץ.
- מנוע המאוורר הוא מדגם DC.
- מאווררי סווינג יש להתקין ולהפעיל אך ורק באמצעות האביזרים, השלט ומוטות ההארכה של 'סווינג'!
- מאוורר התקרה חייב להיות מוברג היטב למבנה מוצק - בשום מקרה אין להתקין את מתקן התלייה על גבי גבס בלבד!
- יש להשתמש בכל הברגים שסופקו עם המאוורר! אי שימוש בכל הברגים מהווה סיכון בטיחותי ועלול להוביל לפגיעה חמורה.
- משקל המאוורר הוא כ-6 ק"ג - יש לוודא כי האביזרים המשמשים להתקנת מתקן התלייה על התקרה, מותאמים להחזיק משקל של פי 4 ממשקל המאוורר.
- את הלהבים יש לחבר למנוע המאוורר אך ורק לאחר שהמנוע תלוי ומחובר כהלכה לתקרה. התקנת הלהבים כשהמנוע מונח על הרצפה או על כל משטח אחר, עלולה להזיק להם או לגרום לכיפופם.
- לפני שמתחילים בעבודת חשמל מכל סוג שהוא - יש לוודא כי אספקת החשמל מנותקת.
- אמצעי ניתוק כלל קוטבי חייב להיות כלול בתיוול מקובע בהתאם לכללי התיוול.
- מאוורר תקרה זה וכל מקור תאורה המצורף לו חייב להיות מחובר עם הארקה.
- אין לנתק את התקעים מהחיווט ואין לשנות את החיווט בשום צורה שהיא.
- לפני השימוש חובה לוודא את אטימות החיבורים.
- בתום ההתקנה יש לוודא כי המרחק המינימלי בין הלהבים לרצפה הוא 2.3 מטרים, וכי המרחק המינימלי בין קצה הלהבים אל הקיר הוא 30 ס"מ. יש לוודא כי בעת הפעלת המאוורר הלהבים אינם פוגעים בדבר (חלונות, דלתות, ארונות וכדומה).

בעת התקנת המאוורר יש לוודא כי נשמר המרחק המינימלי מהקירות ומהרצפה, וכי הלהבים אינם פוגעים בדבר בעת הפעלת המאוורר.



-מאוורר זה אינו מיועד לשימוש על ידי אנשים (לרבות ילדים) עם יכולות פיזיות, חושיות או שכליות מופחתות, או עם היעדר ניסיון וידע, אלא אם הם תחת פיקוח או שקיבלו הנחיות לשימוש במכשיר על ידי האדם האחראי לבטיחותם. יש לוודא שילדים לא מפעילים את מאוורר התקרה - אלא אם כן ההפעלה נעשית תחת פיקוח.

- בעת סופות או רוחות חזקות, יש לפרק את הכנפיים מהמאוורר כדי למנוע שבר של הכנפיים. אין אחריות על שבר של הכנפיים.

ENGLISH

DEUTSCH

ESPAÑOL

ITALIANO

FRANÇAIS

عربي

עברית

יש לעיין היטב בעלון זה לפני ההתקנה והשימוש

שימו לב! התקנת מאוורר התקרה והאביזרים הנלווים לו תבוצע על ידי חשמלאי מוסמך בלבד, בהתאם להוראות הבטיחות, החיווט וההתקנה המפורטים בעלון זה ובכפוף לחוק החשמל. התקנה שלא בהתאם להוראות עלולה לגרום נזק למאוורר ולהוות הפרה של תנאי האחריות המפורטים בכתב האחריות*

ENGLISH

DEUTSCH

ESPAÑOL

ITALIANO

FRANÇAIS

عربيه

עברית

* נספח האחריות בסוף החוברת

SWING

FANS

3
Year
Warranty



THE ECO

הוראות התקנה והפעלה למאוורר תקרה סווינג

DIAMOND DAMP | ref: 85113



SWING

FANS



DIAMOND DAMP

| | |
|--------------------------|----|
| הוראות התקנה | HE |
| دليل التركيب | AR |
| MANUEL D'INSTALLATION | FR |
| MANUALE DI INSTALLAZIONE | IT |
| MANUAL DE INSTALACIÓN | ES |
| MONTAGEANLEITUNG | DE |
| INSTALLATION MANUAL | EN |